



MERRY GO ROUND 8'

301-145-8'

ITEM NO.	PART NUMBER	DESCRIPTION	QTY.
1	913-320	91" Deck Assembly	1
2	913-323	Handrails	4
3	913-322	Post Assembly	1
4	126-707	3/8" x 1/12" Buttonhead Bolt	48
5	316-601	3/8" Flat Washer	96
6	226-602	3/8" Nylon Lock Nut	48
7	336-029	1" Ball Bearing	1
8	416-505	7/32" Socket Key	2

Instruction:

Dig hole 24" deep X 24" diameter and carefully set post assembly per drawing on page 2.

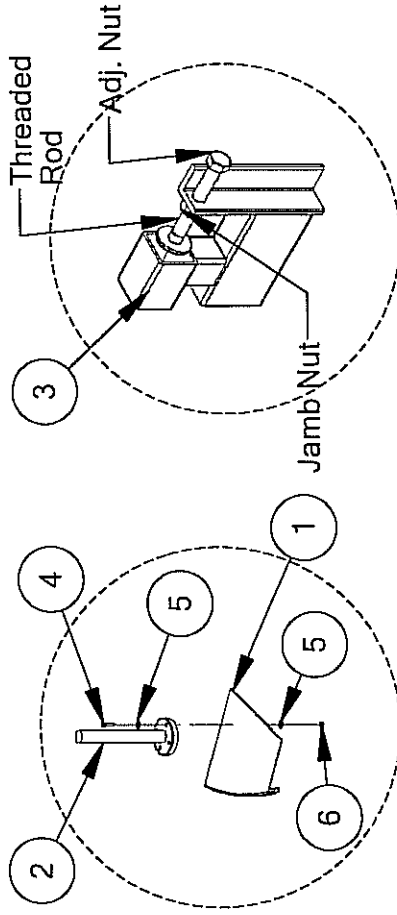
Caution: Be sure to level the 3" solid post of the post assembly, it must be level. Pour concrete and let cure at least 48 hrs.

Place steel ball bearing into the machined pocket on post assembly and lightly grease bearing. Slowly lower deck assembly onto post assembly until it rests on bearing. Now place the handrails onto deck and bolt into place. You may need to pull them into place to get the holes to line up, this is normal. Tighten all bolts.

Finally install at least 4" of safety surfacing, making sure there is no more than 12" between the top of deck and top of safety surfacing.

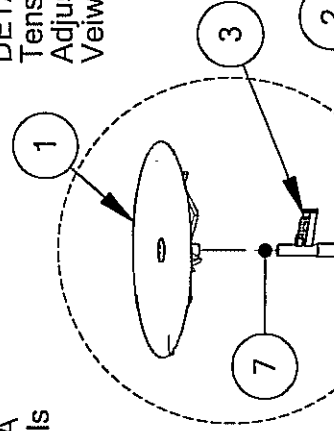
Tension Adjustment: Back off jamb nut and tighten adjustment nut until rubber wheel is pushing onto center sleeve. When adjusted to desired resistance tighten jamb nut.
Lubricate as needed.

Sheet 1 of 2

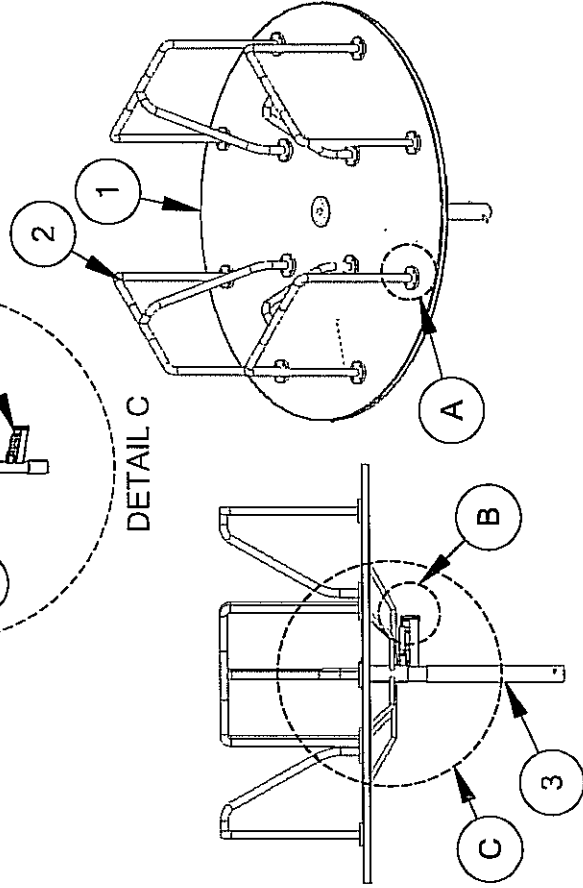


DETAIL A
Typ 48 Pls

DETAIL B
Tension
Adjustment
View



DETAIL C





MERRY GO ROUND 8'

301-143-8'

