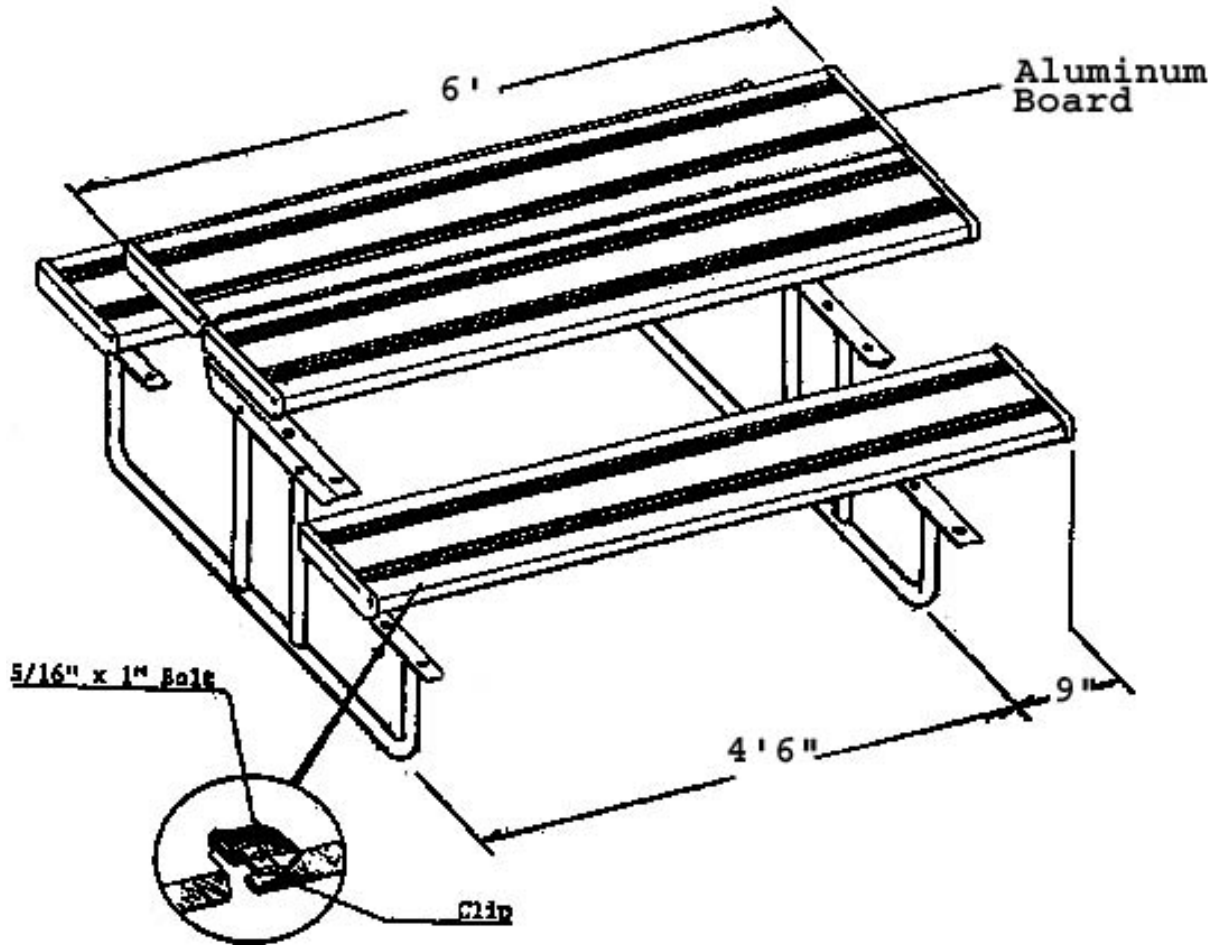


352-176 6' Aluminum Early Years Table

To prolong the life of this product, we recommend that the exposed wood parts be sealed with a good wood sealant. Depending on local climate, these parts should be checked periodically for resealing.



Packing List

		<u>PARTS LIST</u>			<u>HARDWARE BAG</u>
1	CTN	1 - Hardware Bag	16	- 605-506	Clips
		2 - 353-916 Angles	16	- 126-509	5/16" x 1" Carriage Bolts
1	BDL	4 - 603-906 6' Aluminum Boards	4	- 116-506	5/16" x 1 1/2" Hex Bolts
2	WF	2 - 353-915 Legs	20	- 316-501	5/16" Flat Washers
			20	- 216-501	5/16" Hex Nuts

1 CTN	1 BDL	2 WF	4 TOTAL PCS	WT 77#	CLASS 70
-------	-------	------	-------------	--------	----------

352-176 6' Aluminum Early Years Table

Page 2 of 2
Rev 04/01/03

GENERAL ASSEMBLY INSTRUCTIONS

1. Check each Piece CAREFULLY and REMOVE ANY SHARP PROJECTIONS that may have been caused by shipping.
2. DO NOT TIGHTEN nuts more than hand tight until ENTIRE ASSEMBLY IS COMPLETED.
3. ALL THREADED ENDS of bolts protruding BEYOND NUTS should be CUT OFF and PEENED OVER to remove any SHARP EDGE.

SPECIFIC ASSEMBLY INSTRUCTIONS

1. Assemble bench upside down (it's easier)
2. Mark and dig footings (Only for in ground installation)
3. Prop in holes and pour concrete – allow at least 48 hours for concrete to harden.
4. If installation is on blacktop, footings should be left 3” below surface but crowned for drainage. After concrete hardens fill in with dirt. This also applies if installation is in sand, wood chips, or other soft surfaces.

MAINTENANCE INSTRUCTIONS

Check periodically for loose bolts, broken parts and replace immediately.