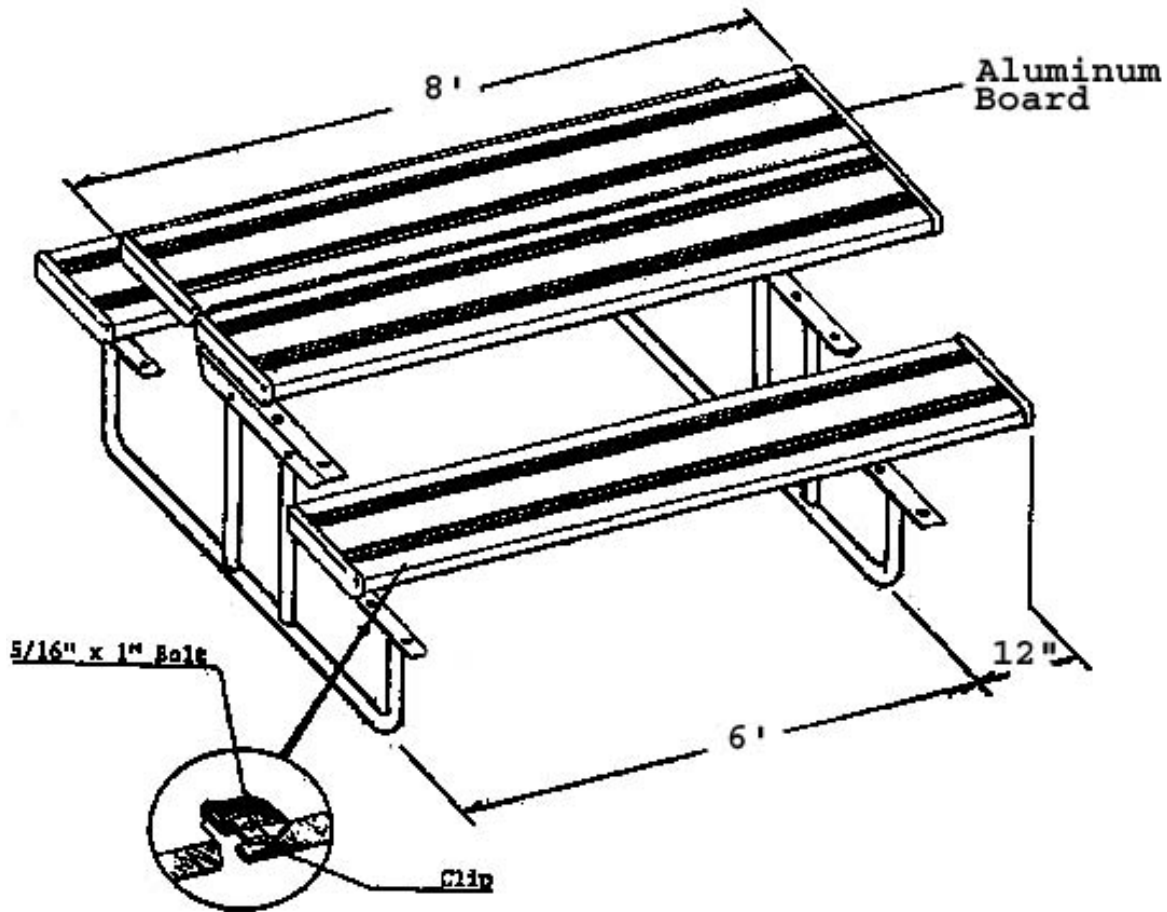


352-178 8' Aluminum Early Years Table

Rev 06/16/03

IMPORTANT

Please retain this instruction sheet in your files. It contains important replacement parts information. All equipment should be installed with these instructions.



Packing List

PARTS LIST

1	CTN	1	-	Hardware Bag
		2	-	353-916 Angles
1	BDL	4	-	603-908 8' Aluminum Boards
2	WF	2	-	353-915 Legs

HARDWARE BAG

16	-	605-506	Clips
16	-	126-504	5/16" x 1" Carriage Bolts
4	-	116-506	5/16" x 1 1/2" Hex Bolts
20	-	316-501	5/16" Flat Washers
20	-	216-501	5/16" Hex Nuts

1 CTN	1 BDL	2 WF	4 TOTAL PCS	WT 85#	CLASS 70
-------	-------	------	-------------	--------	----------

SportsPlay Equipment, Inc., 5642 Natural Bridge, St. Louis, MO 63120 (314) 389-4140

352-178 8' Aluminum Early Years Table

Rev 06/16/03

GENERAL ASSEMBLY INSTRUCTIONS:

Check all the parts and hardware with the packing list to be sure you have received everything needed to assemble this product. CONTACT YOUR LOCAL DISTRIBUTOR WITH NOTIFICATION OF ANY MISSING OR DAMAGED PARTS. Contact must be made within ten days of receipt of your order.

Only hand-tighten nuts & bolts on initial assembly. Final tightening should be done EVENLY after final assembly when unit has been plumbed & leveled.

After assembly is complete, ANY ENDS OF BOLTS PROTRUDING BEYOND NUTS SHOULD BE CUT OFF AND/OR PEENED OVER TO REMOVE ANY SHARP PROJECTIONS. Go over entire unit to file smooth any sharp edges or projections that may have been caused by rough handling in shipping or installation. T-Clamps are designed for both one and two bolt connections. In many situations only one bolt is required. See specific assembly instructions.

On products with platforms install 1-2 degrees off level to facilitate water drainage.

GENERAL MAINTENANCE INSTRUCTIONS:

Check MONTHLY for loose bolts, damaged or broken parts. Tighten and/or replace immediately.

SPECIFIC ASSEMBLY INSTRUCTIONS

1. Assemble bench upside down (it's easier)
2. Mark and dig footings (Only for in ground installation)
3. Prop in holes and pour concrete – allow at least 48 hours for concrete to harden.
4. If installation is on blacktop, footings should be left 3” below surface but crowned for drainage. After concrete hardens fill in with dirt. This also applies if installation is in sand, wood chips, or other soft surfaces.