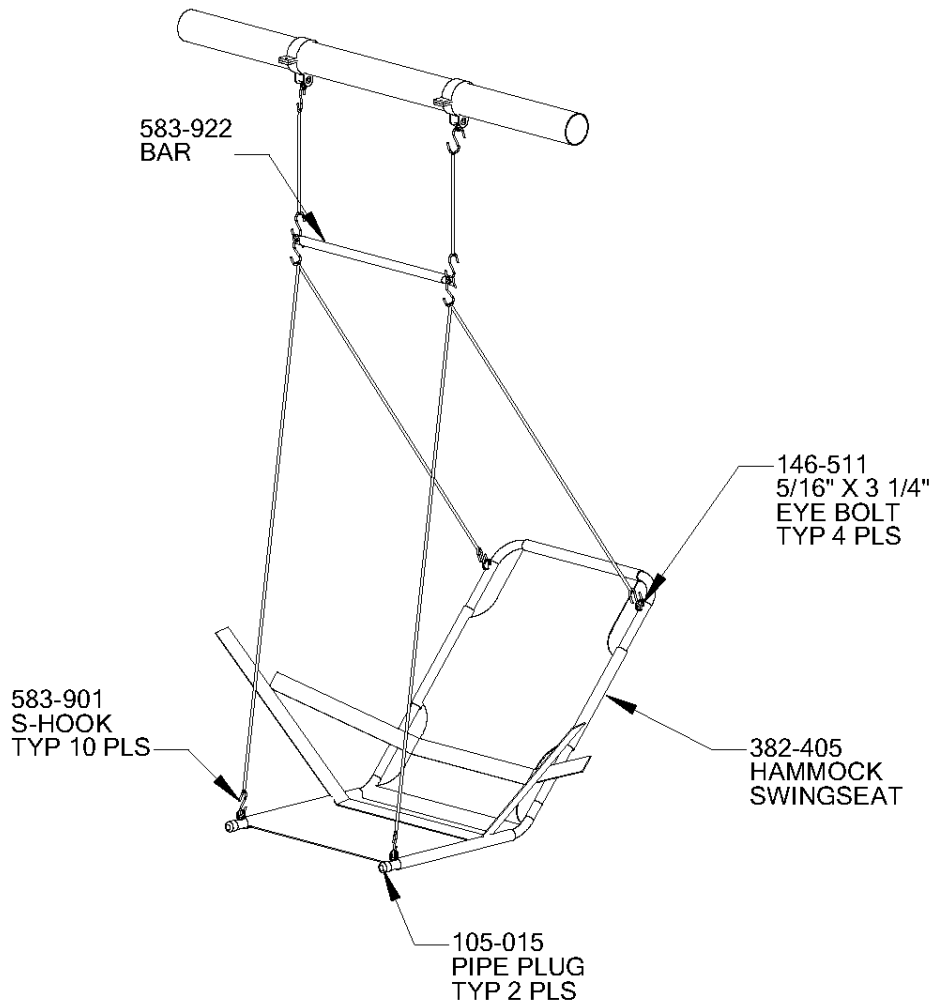


382-405 HAMMOCK SWINGSEAT

Page 1
Rev 10/12/2004

* IMPORTANT *

PLEASE RETAIN THIS INSTRUCTION SHEET IN YOUR FILES. IT CONTAINS IMPORTANT MAINTENANCE INSTRUCTIONS, AS WELL AS REPLACEMENT PARTS INFORMATION.



NOTE:

**CLOSE ALL 'S'
HOOKS**

PACKING LIST

1 CTN - 1 Hardware Bag
- 1 382-405 Hammock Swing seat
Assembled
- 2 4/0 Double Loop Chain (5'-0" Lg.)
- 2 4/0 Double Loop Chain (4'-0" Lg.)
- 1 583-922 Bar

HARDWARE BAG

10 - 583-901 3" "S" Hooks
2 - 105-015 1-5/8" Pipe Plugs
4 - 146-511 5/16" x 3-1/4" Eye Bolts
4 - 216-501 5/16" Hex Nuts
4 - 326-501 5/16" Lock Washers

NOTE: If the Hammock Swing Seat is to be used in an open park or playground installation, we recommend some system of supervision whereby management removes the seat, or secures it to the nearest support, to prevent unsupervised mis-use of the equipment.

NOTE: When Hammock Swing Seat is hung from a top swing rail (8'-0" from the ground) SEAT surface should be 16" to 18" from the ground. Higher distances from the ground can be obtained, by inserting "S" Hooks into a different Chain Link.

NOTE: 382-405 Hammock Swing seat ships assembled.

SportsPlay Equipment, Inc., 5642 Natural Bridge, St. Louis, MO 63120 (314) 389-4140