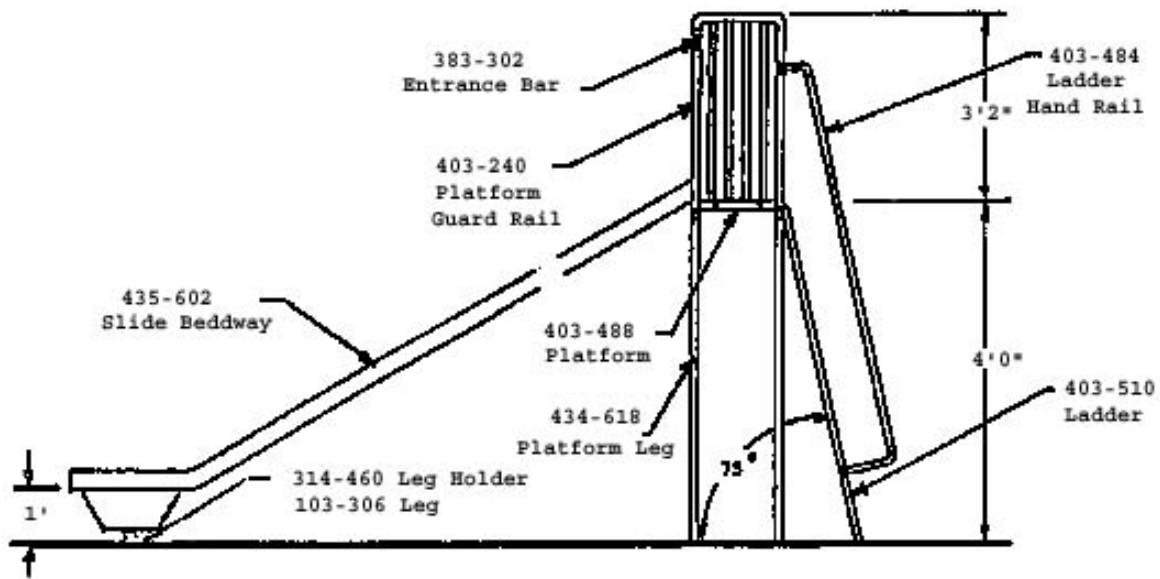


421-408 Super Slide to 4' Deck

*** IMPORTANT ***

PLEASE RETAIN THIS INSTRUCTION SHEET IN YOUR FILES. IT CONTAINS IMPORTANT REPLACEMENT PARTS INFORMATION. ALL EQUIPMENT SHOULD BE INSTALLED IN ACCORDANCE WITH THESE INSTRUCTIONS.

IT IS IMPORTANT TO USE AND MAINTAIN ALL PUBLIC PLAYGROUND EQUIPMENT PROPERLY. PLAYGROUND EQUIPMENT WHICH IS IMPROPERLY MAINTAINED CAN CAUSE SERIOUS INJURY. PERIODICAL INSPECTIONS, MAINTENANCE, REPAIR AND/OR REPLACEMENT OF DAMAGED PARTS IS NECESSARY FOR SAFE OPERATION OF EQUIPMENT AND SAFETY OF USERS. RESILIENT SURFACING SHOULD BE USED UNDER ALL PLAYGROUND EQUIPMENT. APPROPRIATE PUBLICATIONS, AVAILABLE AT NO CHARGE, FROM THE CONSUMER PRODUCT SAFETY COMMISSION, INCLUDE "A HANDBOOK FOR PUBLIC PLAYGROUND SAFETY." YOU CAN RECEIVE YOUR FREE COPY BY CALLING 1-301-504-7908.



PACKING LIST

1 CTN	- 1 Hardware Bag
	- 1 435-405 Attach Bracket
1 BDL	- 2 403-484 Ladder Hand Rail
1 BDL	- 1 383-302 Entrance Bar
	- 1 103-306 Leg
1 BDL	- 4 434-618 Platform Leg
1 WF	- 1 403-488 Platform
1 WF	- 1 403-510 Ladder
1 WF	- 1 314-460 Leg Holder
2 WF	- 1 403-240 Platform Guard Rail
1 SLIDE	- 1 435-602 Slide Bedway

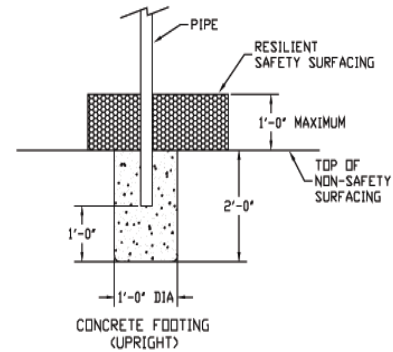
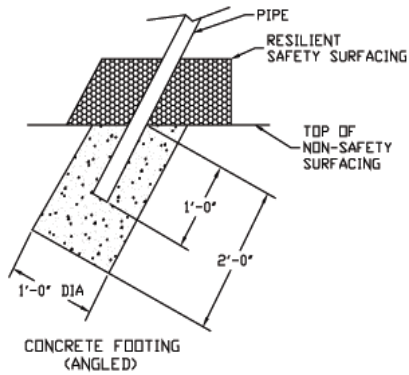
HARDWARE BAG

6 PR	- 415-513	1 3/8" T-Clamp
6	- 316-601	3/8" Flat Washer
16	- 116-530	5/16" x 1" Button Hd Bolt
6	- 196-802	1/2" x 1/2" Socket Set Screw
6	- 116-604	3/8" x 1" Hex Hd. Bolt
6	- 326-601	3/8" Lock Washer
12	- 326-501	5/16" Lock Washer
8	- 316-501	5/16" Flat Washer
6	- 226-501	5/16" Lock Nut
14	- 216-512	5/16" Button Hd Nut
1	- 416-400	1/4" Socket Key
2	- 416-350	3/16" Socket Key
3	- 126-504	5/16" x 1" Carr. Bolt
	- 416-400	1/4" Socket Key
1	- 805-532	Warning Label
1	- 805-534	SportsPlay Label
1	-	Maintenance Checklist

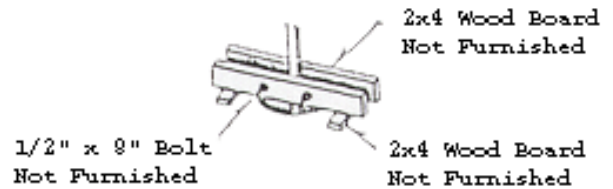
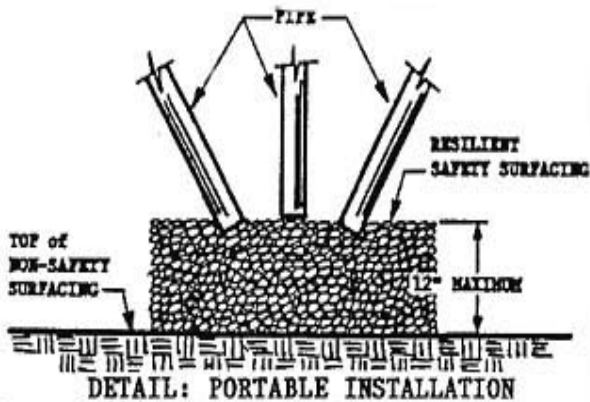
1 CTN	3 BDL	5 WF	1 SLIDE	10 TOTAL PCS	WT 200#	CLASS 70
-------	-------	------	---------	--------------	---------	----------

GENERAL USE/FALL ZONE & FOOTING RECOMMENDATIONS

STATIONARY & PORTABLE EQUIPMENT - USE/FALL ZONES SHOULD EXTEND A MINIMUM OF 6 FEET IN ALL DIRECTIONS FROM THE PERIMETER OF THE EQUIPMENT GROUND SPACE. THIS AREA SHOULD BE COVERED WITH THE REQUIRED AMOUNT OF RESILIENT SAFETY SURFACING MATERIAL. FOR SOME EQUIPMENT - USE/FALL ZONES CAN OVERLAP. SEE CONSUMER PRODUCT SAFETY COMMISSION GUIDELINES. DIAMETER & DEPTH OF FOOTING ILLUSTRATED ARE SATISFACTORY IN MOST APPLICATIONS FOR PIPE SIZES UP TO 2 3/8" DIAMETER. VARYING SOIL & CLIMATIC CONDITIONS MAY REQUIRE DEEPER & HEAVIER FOOTINGS IN SOME AREAS. CHECK LOCAL BUILDING CODES.



* If resilient surfacing is to be less than 12", then additional pipe should be put in concrete to maintain proper finish grade for equipment.



Suggested Bracing Method

421-408 Super Slide to 4' Deck

Page 3 of 3
Rev 04/03/03

GENERAL ASSEMBLY INSTRUCTIONS:

Check all the parts and hardware with the packing list to be sure you have received everything needed to assemble this product. CONTACT YOUR LOCAL DISTRIBUTOR WITH NOTIFICATION OF ANY MISSING OR DAMAGED PARTS. Contact must be made within ten days of receipt of your order.

Only hand-tighten nuts & bolts on initial assembly. Final tightening should be done EVENLY after final assembly when unit has been plumbed & leveled. After assembly is complete, ANY ENDS OF BOLTS PROTRUDING BEYOND NUTS SHOULD BE CUT OFF AND/OR PEENED OVER TO REMOVE ANY SHARP EDGES. Go over entire unit to file smooth any sharp edges or projections that may have been caused by rough handling in shipping or installation. T-Clamps are designed for both one and two bolt connections. In many situations only one bolt is required. See specific assembly instructions. On products with platforms install 1 - 2 degrees off level to facilitate water drainage.

GENERAL MAINTENANCE INSTRUCTIONS:

Check MONTHLY for loose bolts, damaged or broken parts. Tighten and/or replace immediately.

SPECIFIC ASSEMBLY INSTRUCTIONS:

- NOTE: Slide should be installed in shaded areas or face NORTH to prevent direct Sun on Slide's Chute. See Pg. 3 for Use area/Fall Zone diagram.
- NOTE: All threaded ends of bolts protruding beyond nuts must be cut off and/or peened to eliminate sharp edges. No more than two threads should extend beyond face of nut.
All washers, "T" nuts, and other fastener hardware used on round pipe or tubing must be hammered down to conform to the curved underlying surface to eliminate catch points.
- STEP #1: Mark & dig footing holes per SKETCH on PAGE #2.
- STEP #2: Assemble entire slide lying unit on its side on the ground. Start by attaching Ladder to Platform. SEE VIEW A.
- STEP #3: Attach Platform Guard Rail to Platform Legs. SEE VIEW B. Then attach Guard Rail Assy. To Platform. SEE VIEW C.
- STEP #4: Attach Slide Bedway to Platform. SEE VIEW D.
- STEP #5: Attach Leg Holder to Slide Bedway. SEE VIEW E. Then attach Slide Leg to Bedway. SEE VIEW F.
- STEP #6: Attach Ladder Hand Rail to guard Rail & Ladder. SEE VIEW G.
- STEP #7: Attach Entrance Bar to Guard Rails. SEE VIEW H.
- STEP #8: Raise & brace unit in footing holes. Length of Legs below intended level of Resilient Surfacing should be 24"
- STEP #9: Plumb & level. Tighten all nuts & bolts so that lock washers are flat. Pour Concrete. Wait 48 hours before removing braces, installing Resilient Surfacing & using equipment.
- STEP #10: Attach Warning Label and Manufacturer's Identification Label to a clean surface. The Labels should be attached in a location where they are clearly visible and legible and away from normal hand and foot placement areas. The Labels must be replaced if they become illegible, destroyed or removed. Contact your distributor for replacement Labels.

421-408 Super Slide to 4' Deck

USE AREA AND FALL ZONE:

