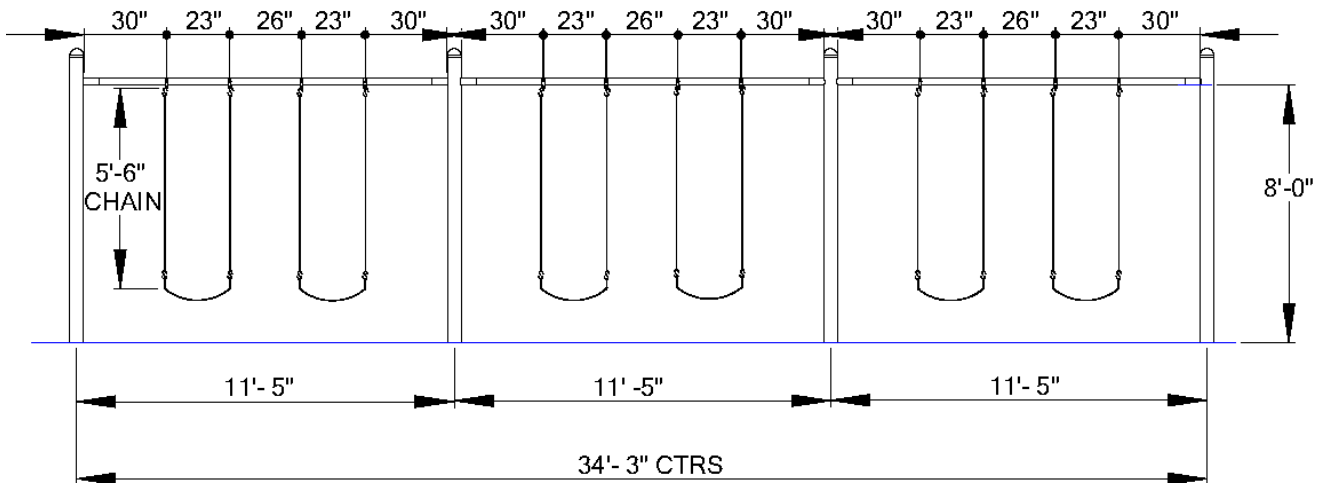


581-506 4 1/2" OD Single Post Swing 6 seat

IMPORTANT

PLEASE READ THESE INSTRUCTIONS BEFORE COMMENCING ASSEMBLY. All equipment must be installed in accordance with these instructions. Check your shipment against Bill of Lading and Parts list. Any missing or broken parts must be reported to your distributor within 10 days of receipt of your order. When properly installed and maintained, equipment will give many years of Safe, Trouble-Free use. Periodically check for loose or broken parts. Loose bolts must be tightened and broken parts must be replaced as they can possibly create dangerous situations leading to unnecessary accidents. Resilient Surfacing should be used under all playground equipment. Appropriate publications, available at no charge, from the Consumer Product Safety Commission, include "A Handbook for Public Playground Safety". You can receive your free copy by calling 1-301-504-7908.



To insure proper swing height, install to an 8' height, measuring from the top of the resilient surfacing to the bottom of the top rail.

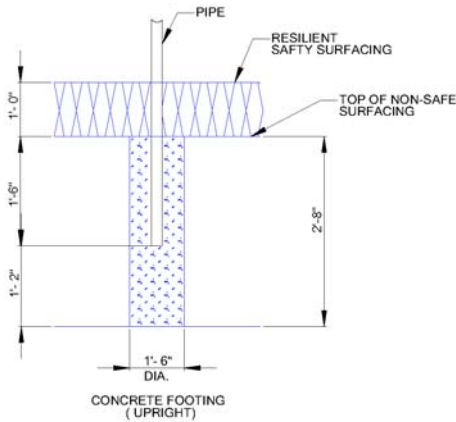
<u>PACKING LIST</u>			<u>HARDWARE BAG</u>		
1	CTN	Hardware Bag	12	585-520	2 3/8" Swing Hanger
3	PIPE	343-210A Top Rail 2 3/8" x 11'	6	585-955	Cut Proof Belt Seat
2	PIPE	583-510 End Swing Post 5" x 11'4"	12	317-140	4/0 Chain 5'6" long
2	PIPE	583-511 Center Swing Post 5" x 11'4"	24	585-901	S Hook
			6	196-802	1/2" x 1/2" Socket Set Screw
			1	416-400	1/4" Socket Key
			1	805-532	Warning Label
			1	805-534	SportsPlay Label
			1		Maintenance Checklist

1 CTN	7 PIPE	8 TOTAL PCS	655 # Weight	Class 70
-------	--------	-------------	--------------	----------

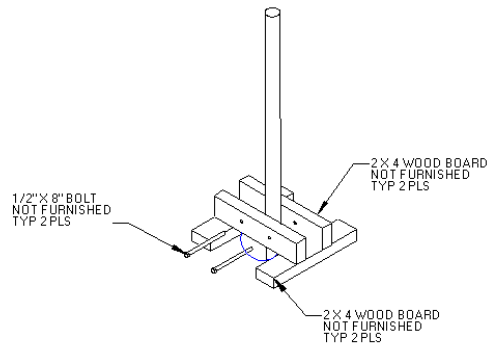
GENERAL FOOTING RECOMMENDATIONS

Diameter and depth of footings illustrated are satisfactory in most applications for pipe sizes up to 5" in diameter. Varying soil & climatic conditions may require deeper and heavier footings in some areas. Check local building codes.

DETAIL:
Permanent Installation

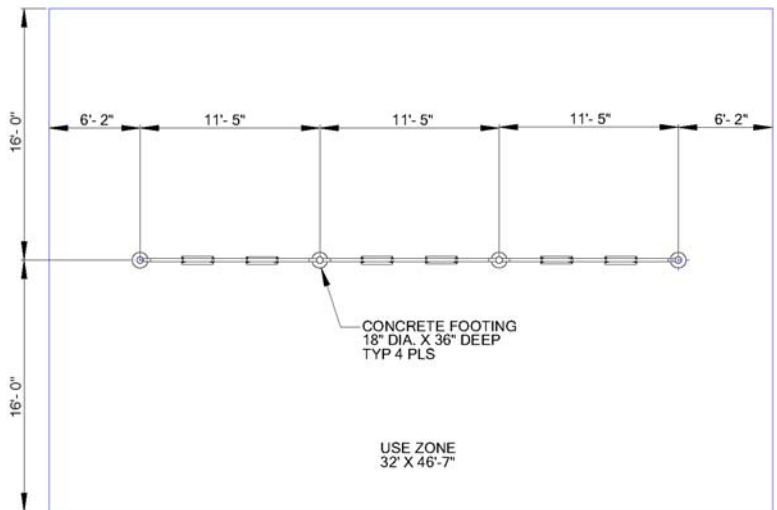
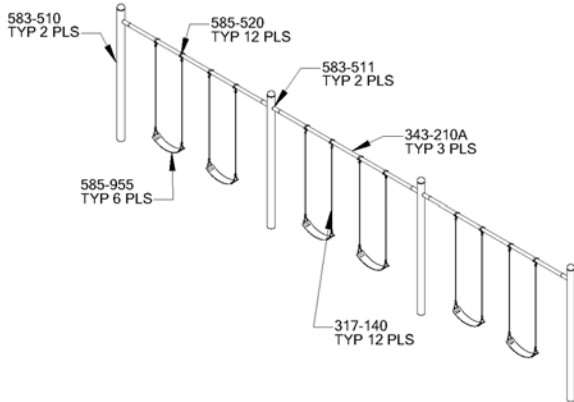


DETAIL:
Suggested Bracing Method



IF RESILIENT SURFACING IS TO BE LESS THAN 12", THEN ADDITIONAL PIPE SHOULD BE PUT IN CONCRETE TO MAINTAIN PROPER FINISH GRADE FOR EQUIPMENT.

USE AREA AND FOOTING LAYOUT:



581-506 4 1/2" OD Single Post Swing 6 seat

Page 3

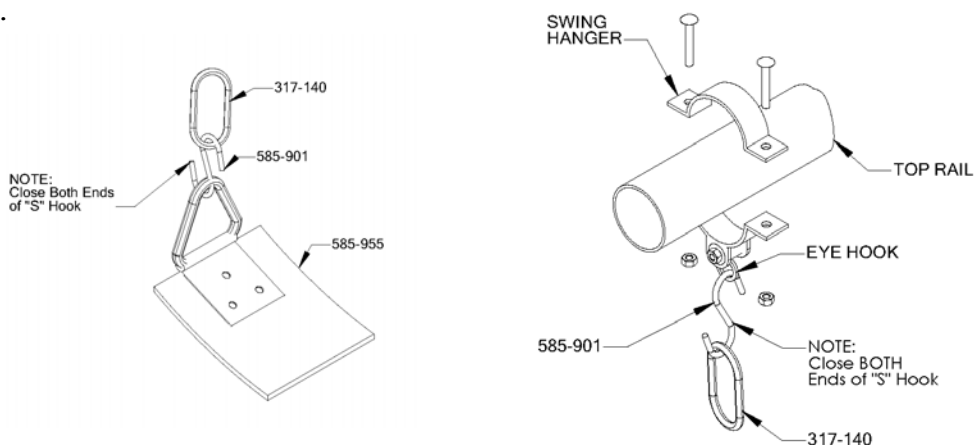
Rev. 10/28/2004

GENERAL USE/FALL ZONE & FOOTING RECOMMENDATIONS:

Single Axis Swings:

The Use/Fall Zone should extend to the front & rear, a minimum distance of twice the height of the Top Rail above the resilient surfacing material. The Use/Fall Zone to the sides should follow the geneTc 1S069 2ethe h0eib0sixhe

STEP #2: Remove swing hanger pendulums from the swing hanger assemblies. Using S-hooks, attach seats to chain and chain to swing hanger eyehook. Close the S-hooks to within .034" (1/32") using S-hook pliers or pounding with a hammer.



STEP #3: Assemble top portion of Swing Hangers on Top Rail following spacing on Page #1.

STEP #4: Footing holes may be marked out and dug from footing layout, however, it is easier to position swing in proper location, mark holes, move swing aside, and dig holes. Dig holes 18" in diameter and 36" deep for the large pipe posts.

STEP #5: Stand swing upright onto legs and brace in footing holes so that 18" of pipe will be under intended level of resilient surfacing and top rail is at desired height.

STEP #6: Plumb and level entire unit. Use short length of pipe on end of socket key to add leverage when tightening socket set screws. Pour concrete. Dome top of cement for proper drainage. Wait 48 hours before removing braces, applying resilient surfacing and using equipment.

STEP #7: Attach assembled seats to swing hangers by reattaching the bearing hooks to the swing hangers. SEE STEP #2. OD NOT overtighten bolt on pendulum. Hangers must move freely.

STEP #8: Attach warning label and Manufacturer's Identification label to a clean surface. The labels should be attached in a location where they are clearly visible and legible and away from normal hand and foot placement areas. The labels must be replaced if they become illegible, destroyed or removed. Contact your SportsPlay distributor for replacements.

Maintenance: Periodically, tighten all loose parts and check for wear and/or damage. If wear/damage is found, discontinue use of unit until repairs are completed.