

801-176 10' SINGLE ENTRY BIKE RACK

Page 1
Rev 06/13-03

* I M P O R T A N T *

PLEASE RETAIN THIS INSTRUCTION SHEET IN YOUR FILES. IT CONTAINS IMPORTANT MAINTENANCE INFORMATION. ALL EQUIPMENT SHOULD BE INSTALLED IN ACCORDANCE WITH THESE INSTRUCTIONS.

Spacing between tire support posts is 3" center to center for small gap, 8 1/2" center to center for large gap.

PACKING LIST

HARDWARE BAG

1	CTN		Hardware Bag
1	BDL	1 803-261	Spacer Bar
1	BDL	2 803-262	End Support
1	WF	1 803-326	Ladder

2	116-514	5/16" x 3 1/2" Hex Bolt
8	116-510	5/16" x 2 1/2" Hex Bolt
10	326-501	5/16" Lock Washer
4	216-601	3/8" Hex Nut
4	226-601	3/8" Lock Nut
10	226-501	5/16" Lock Nut
4 pr	415-515	1 5/8" T-Clamp
8	105-015	1 5/8" Pipe Plug
4	196-644	3/8" x 8" Anchor Bolt

801-176 10' SINGLE ENTRY BIKE RACK

Page 2
Rev 06/13-03

GENERAL ASSEMBLY INSTRUCTIONS:

Check all the parts and hardware with the packing list to be sure you have received everything needed to assemble this product.

CONTACT YOUR LOCAL DISTRIBUTOR WITH NOTIFICATION OF ANY MISSING OR DAMAGED PARTS. Contact must be made within ten days of receipt of your order.

Only hand tighten nuts & bolts on initial assembly. Final tightening should be done EVENLY after final assembly when unit has been plumbed & leveled.

After assembly is complete, ANY ENDS OF BOLTS PROTRUDING BEYOND NUTS SHOULD BE CUT OFF AND/OR PEENED OVER TO REMOVED ANY SHARP PROJECTIONS. Go over entire unit to file smooth any sharp edges or projections that may have been caused by rough handling in shipping or installation. T-Clamps are designed for both one and two bolt connections. In many situations only one bolt is required. See specific assembly instructions.

On products with platforms install 1-2 degrees off level to facilitate water drainage.

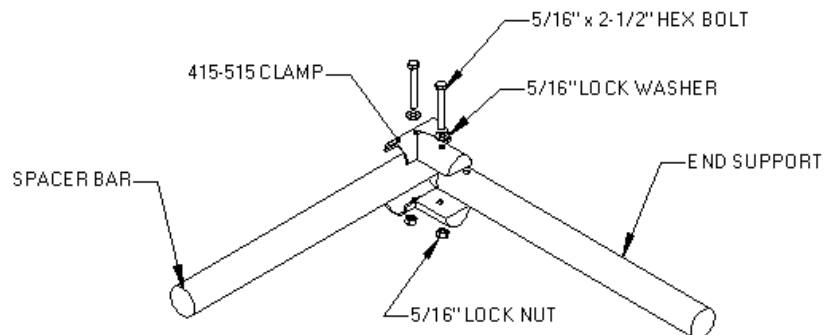
GENERAL MAINTENANCE INSTRUCTIONS:

Check MONTHLY for loose bolts, damaged or broken parts. Tighten and/or replace immediately.

SPECIFIC ASSEMBLY INSTRUCTIONS:

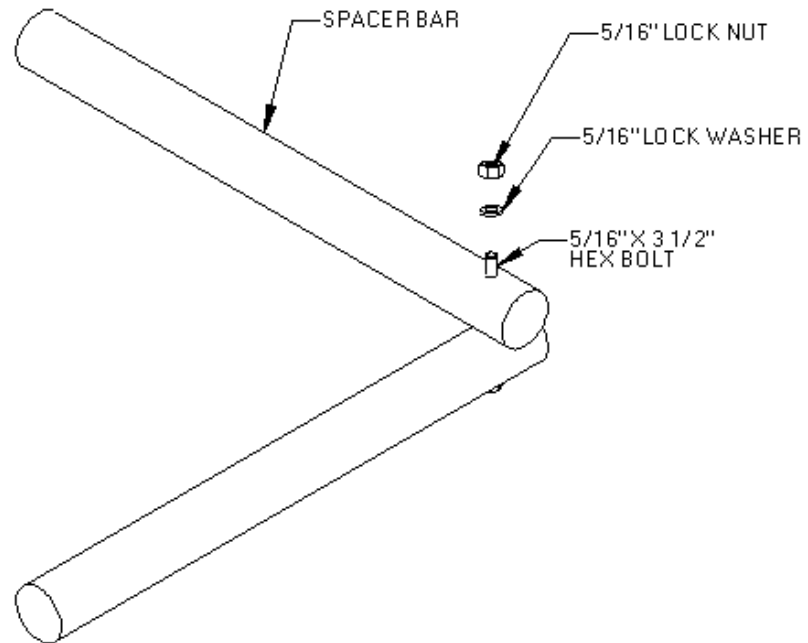
- STEP #1: Completely assemble Bike Rack.
- STEP #2: Position Bike Rack in proper position, mark footing holes, move Bike Rack to one side, and dig holes.
- STEP #3: Assemble Anchor Bolts to end supports and place Bike Rack in position over footing holes.
- STEP #4: Pour concrete. Crown surface, plumb and level. Wait 48 hours before using equipment.

T-Clamp Detail:



801-176 10' SINGLE ENTRY BIKE RACK

End Support and Spacer Detail:



Anchor Bolt Detail:

