

**FREESTANDING SERIES**  
**Straight Balance Beam - 6'**

**STRAIGHT BALANCE BEAM - 6'**  
**#90021006XX**

**USER GROUP:** 2-12 years

**RECOMMENDED CREW:** 1 person

**TOOLS REQUIRED:**

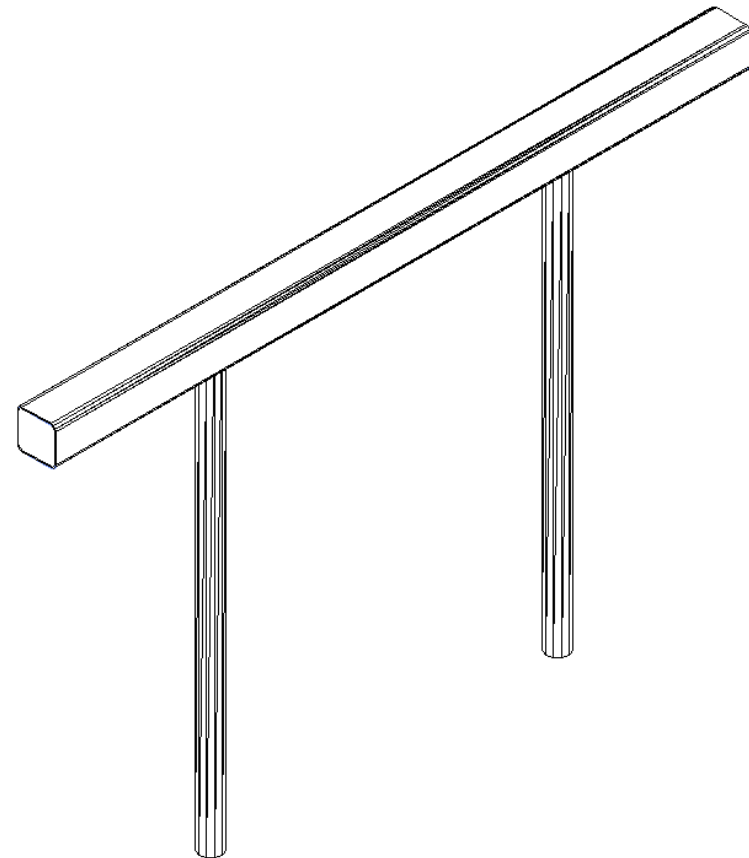
Shovel / Post Hole Digger / Auger  
Level

**CONCRETE REQUIRED:** 7 cubic feet

**NOTE:** Concrete must have a minimum rating of 2,500 psi and must be mixed per manufacturer's recommendations.

**INSTALLATION TIME:** Approximately 1 hour

**WEIGHT:** 75 lbs.



**PRE-INSTALLATION CHECK:**

Compare all items received to the packing list. Notify your local sales representative immediately if any parts are missing or damaged.

**We are not responsible for items discovered missing after 72 hours from time of delivery!**

Before beginning installation, make sure that you have read and understand the *Installation Introduction* manual that was supplied to you. If you did not receive a copy, or if you have a question regarding anything covered in this manual, contact your local sales representative.

## INSTALLATION GUIDELINES

### **STEP 1**

Refer to PLAN VIEW and FOOTING DETAIL to locate position of straight balance beam.

### **STEP 2**

Excavate footing holes as shown in FOOTING DETAIL and FOOTING ELEVATION. Place a 2" spacer block in the bottom of each hole.

### **STEP 3**

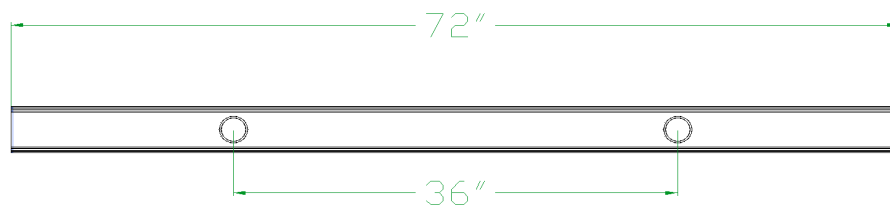
Place balance beam in footing holes. Brace in position.

**NOTE:** Top of balance beam may not be higher than 12" above finished surfacing if intended for use by 2-5 year olds and no higher than 16" above surfacing if intended for use by 5-12 year olds.

### **STEP 4**

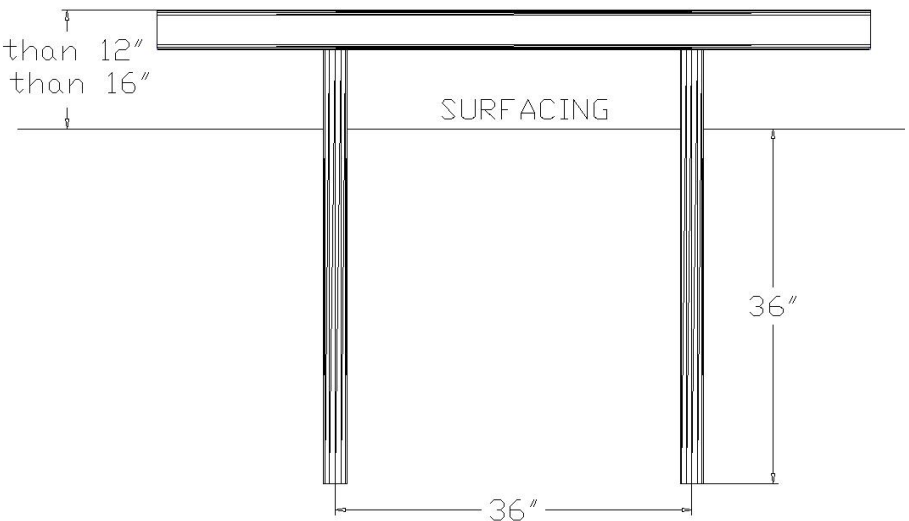
Verify balance beam is level and plumb in footings and that it is at the correct height. Pour concrete into footings to correct level.

**NOTE:** Concrete must have a minimum rating of 2,500 psi and must be mixed per manufacturer's recommendations. **Allow concrete to harden for at least 48 hours before use!**

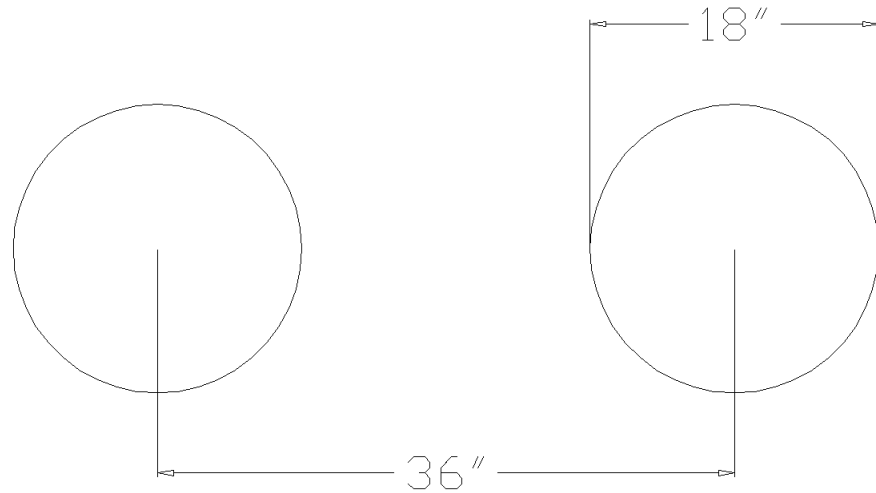


**OVERHEAD VIEW**

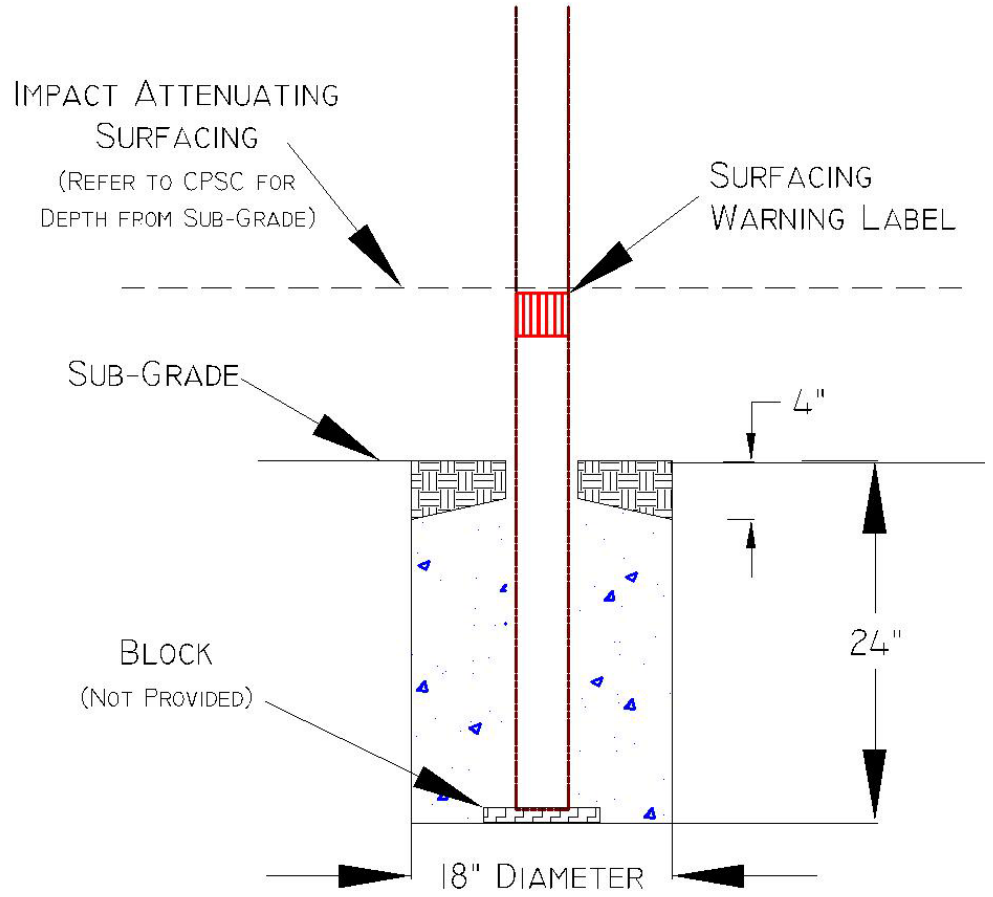
2-5 - no greater than 12"  
5-12 - no greater than 16"



**ELEVATION VIEW**



**FOOTING LAYOUT**



**FOOTING ELEVATION**

**PRODUCT SPECIFICATIONS****BALANCE BEAM***BEAM*

- 4" O.D. square steel tube
- 11 gauge galvanized steel
- 50,000 psi yield strength (ASTM E-8)
- 55,000 psi tensile strength (ASTM E-8)
- Triple Flo-Coated corrosion protection (interior and exterior)
- Interior and exterior corrosion resistance (ASTM B-117)
- Contains a minimum of 30% recycled steel and is 95%-98% recyclable
- Manufactured per ASTM 500
- Powder coat finish

*SUPPORT POSTS*

- 2-3/8" O.D. round steel tube
- 9 gauge steel
- 50,000 psi yield strength (ASTM E-8)
- 55,000 psi tensile strength (ASTM E-8)
- Triple Flo-Coated corrosion protection (interior and exterior)
- Interior and exterior corrosion resistance (ASTM B-117)
- Contains a minimum of 30% recycled steel and is 95%-98% recyclable
- Manufactured per ASTM 500
- Powder coat finish

**PRETREATMENT WASH PRIMER**

- 4860-420 primer / 1000-44 activator
- Polyvinyl-butylal resin based primer
- Used on all mild steel and all weld joints
- Designed to give adhesion to a wide variety of metal substrates
- Provides added metal protection against rust
- Imparts extra durability to topcoat (powder coat)
- When reduced properly, it meets the definition of a "pretreatment" primer found in many air quality regulations

**POWDER COAT FINISH**

- TGIC Polyester
- Electrostatic application
- Baked-on @ 400 degrees
- 5-7 mills thick
- Lead free
- High gloss
- No peel / No flake finish
- Resistant to salt spray (ASTM B117)
- Resistant to humidity (ASTM D2247)
- Direct/Indirect impact 120 in. pounds (ASTM D2794)
- Good to excellent resistance to most solvents, oils, acids and alkalies