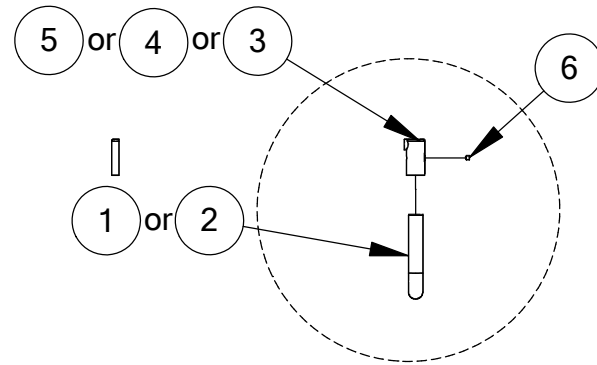




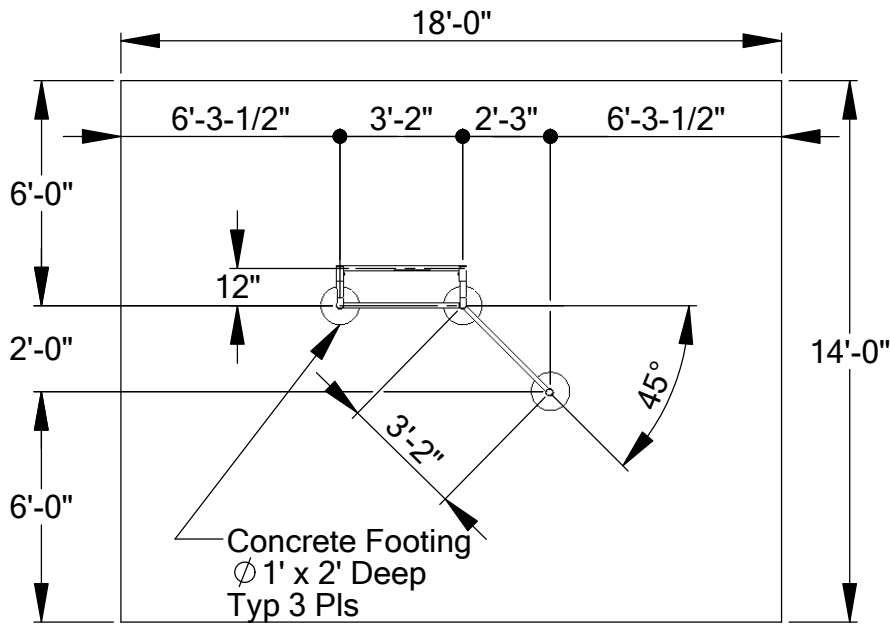
# STALL BAR FENCE

511-102

ITEM NO.	PART NUMBER	DESCRIPTION	QTY.
1	123-608	Post	1
2	103-669	Pole	2
3	503-210	Turning Bar	1
4	503-211	Turning Bar	1
5	503-203	Turning Bar	7
6	196-802	1/2" x 1/2" Socket Set Screw	18



DETAIL A  
Typ 18 Pls



Footing Diagram

