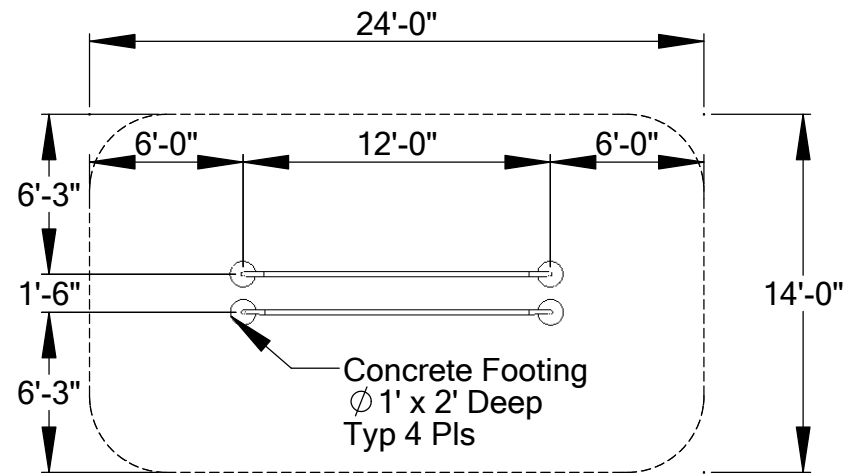
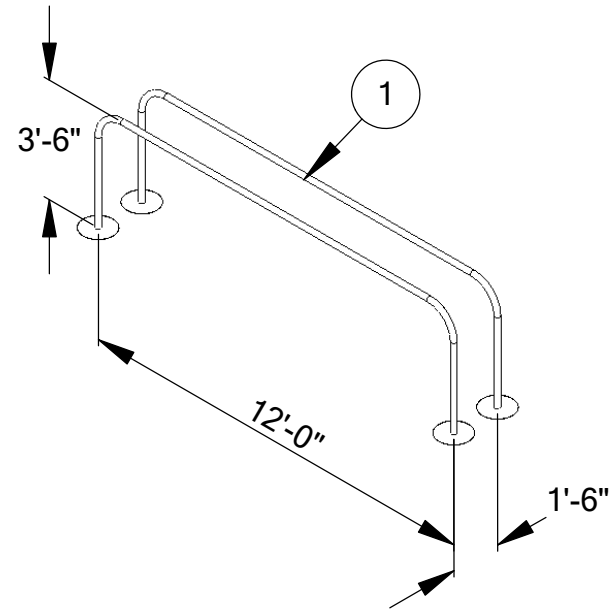




PARALLEL BARS

511-108

| ITEM NO. | PART NUMBER | DESCRIPTION | QTY. |
|----------|-------------|-------------|------|
| 1 | 503-611 | Turning Bar | 2 |



Footing Diagram

Parallel Bars