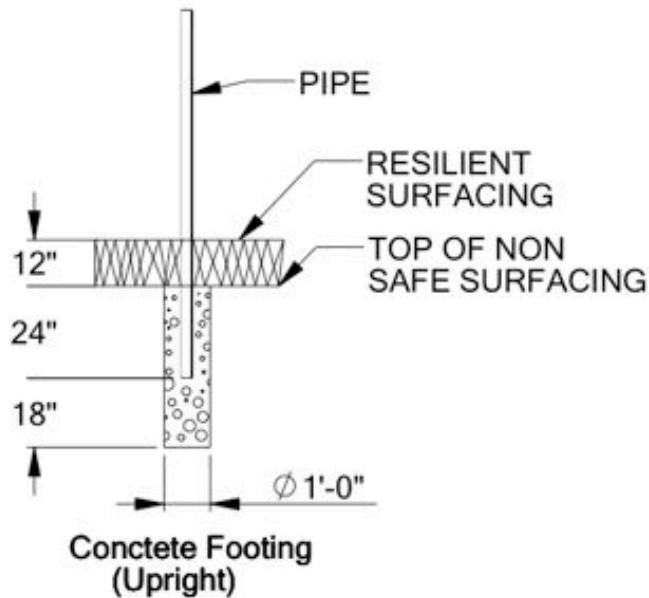
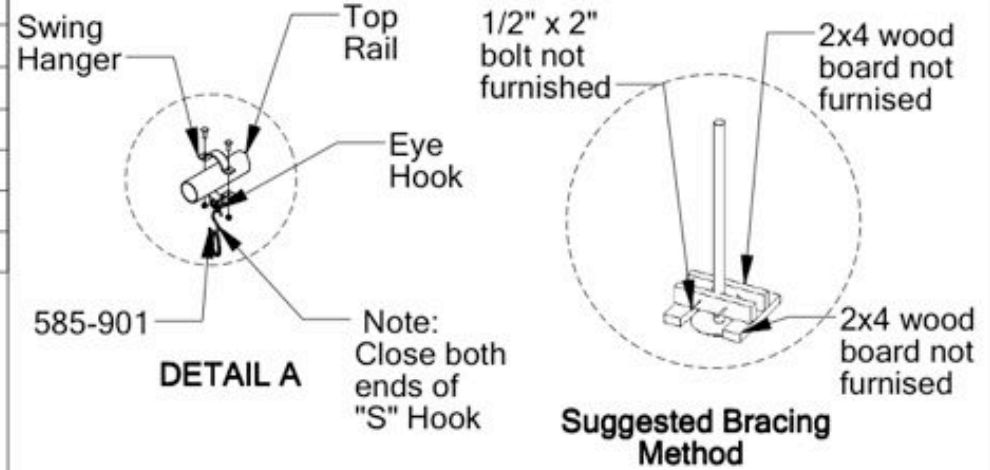




# ROPE CLIMB

511-146

ITEM NO.	PART NUMBER	DESCRIPTION	QTY.
1	533-981	1-1/2" Rope 10' Long	1
2	503-100	2-3/8" Sliding Pole	1
3	354-904	Double Clevis	1
4	585-520	2-3/8" Swing Hanger	1
5	105-017	3-3/8" Pipe Plug	1
6	345-907	Clevis Key	1



If resilient surfacing is to be less than 12", then additional pipe should be put in concrete to maintain proper finish grade for equipment.

