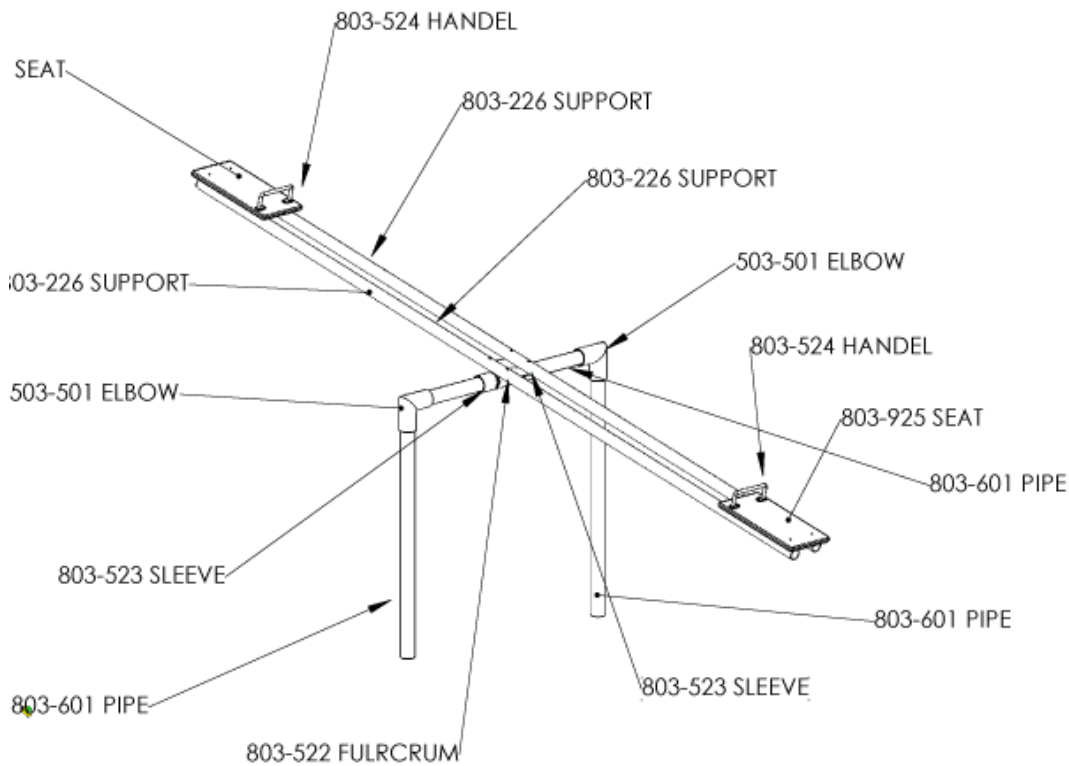


# 801-212M See Saw 2 Seat

## IMPORTANT

PLEASE READ THESE INSTRUCTIONS BEFORE COMMENCING ASSEMBLY. Please retain this instruction sheet in your files. It contains important replacement parts information. All equipment must be installed in accordance with these instructions. It is important to use and maintain all public playground equipment properly. Playground equipment, which is improperly maintained, can cause serious injury. Periodical inspections, maintenance, repair and/or replacement of damaged parts is necessary for safe operation of equipment. Appropriate publications, available at no charge, from the consumer product safety commission, include "A Handbook for Public Playground safety". You can receive your free copy by calling 1-301-504-7908.



### PACKING LIST

### HARDWARE BAG

1	CTN	1	Hardware Bag	4	105-016	1 7/8" Pipe Plug
		2	503-501 Elbow	6	196-803	1/2" x 3/4" Socket Set Screw
		1	803-522 Fulcrum	4	126-516	5/16" x 4" Carriage Bolt
		2	803-523 Sleeve	8	126-510	5/16" x 2 1/2" Carriage Bolt
		2	803-524 Handle	12	316-501	5/16" Flat Washer
		2	803-925 Seat Boards	8	216-501	5/16" Hex Nut
1	BDL	3	803-601 Pipe 2 3/8" OD x 3'6" Long	4	226-501	5/16" Lock Nut
2	PIPE	1	803-226 Support	1	416-400	1/4" Socket Key
				1	805-532	Warning Label
				1	805-534	SportsPlay Label
				1		Maintenance Checklist

1 CTN

1 BDL

2 PIPE

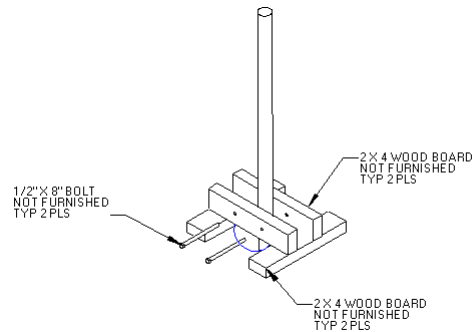
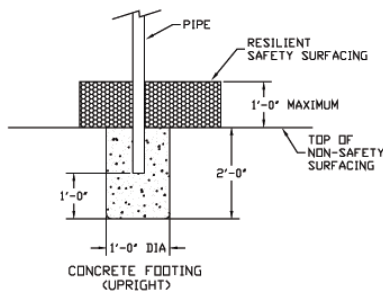
4 TOTAL PCS

110# Weight

Class 70

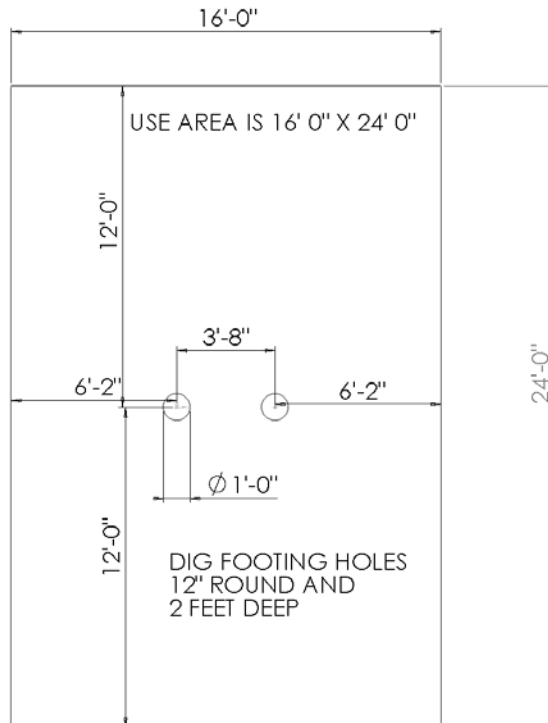
**GENERAL USE/FALL ZONE & FOOTING RECOMMENDATIONS:**

Stationary & portable equipment - use/fall zones should extend a minimum of 6 feet in all directions from the perimeter of the equipment ground space. This area should be covered with the required amount of resilient safety surfacing material. For some equipment - use/fall zones can overlap. See Consumer Product Safety Commission guidelines. Diameter & depth of footings illustrated are satisfactory in most applications for pipe sizes up to 2 3/8" diameter. Varying soil & climactic conditions may require deeper & heavier footings in some areas. Check local building codes.



- If resilient surfacing is to be less than 12", then additional pipe should be put in concrete to maintain proper finish grade for equipment.

**USE AREA & FOOTING:**



**SPECIFIC INSTRUCTIONS:**

Car tires (not furnished) or some other shock-absorbing material should be embedded in the ground beneath the seats to minimize the risk of injury due to abrupt contact with the ground. Also, lengths of standard 2 x 4's can be easily positioned between the pipe rails to prevent children from putting their feet between the rails.

**GENERAL MAINTENANCE INSTRUCTIONS:**

Check MONTHLY for loose bolts, damaged or broken parts. Tighten and/or replace immediately.

**SPECIFIC ASSEMBLY AND INSTALLATION:**

**NOTE:** All threaded ends of bolts protruding beyond nuts must be cut off and/or peened to eliminate sharp edges. No more than two threads should extend beyond face of nut. All washers, "T" nuts, and other fastener hardware used on round pipe or tubing must be hammered down to conform to the curved underlying surface to eliminate catch points. DO NOT tighten nuts more than hand-tight until entire assembly is completed.

STEP #1: Mark and dig holes

STEP #2: Assemble frame including fulcrums and sleeves. DO NOT attach see saws at this time.

STEP #3: Prop in holes, leaving 15-18" distance from surface to top of frame, plumb, level and pour concrete. Allow at least 48 hours for concrete to harden.

STEP #4: After concrete has hardened, attach the rest of the equipment.

STEP #5: Attach Warning Label and Manufacturer's Identification Label to a clean surface. The labels should be attached in a location where they are clearly visible and legible and away from normal hand and foot placement areas. The labels must be replaced if they become illegible, destroyed or are missing. Contact your SportsPlay distributor for replacement labels.