

**FREESTANDING 48" WAVE SLIDE
3-1/2" Vertical Posts**

USER GROUP: 2-12 years

RECOMMENDED CREW: 2 people

TOOLS REQUIRED:

T-30 TORX Tool (supplied by manufacturer)

T-45 TORX Tool (supplied by manufacturer)

3/16" Allen Head Wrench

Level

Shovel / Post Hole Digger / Auger

High Speed 3/8" Electric Drill *w/clutch*

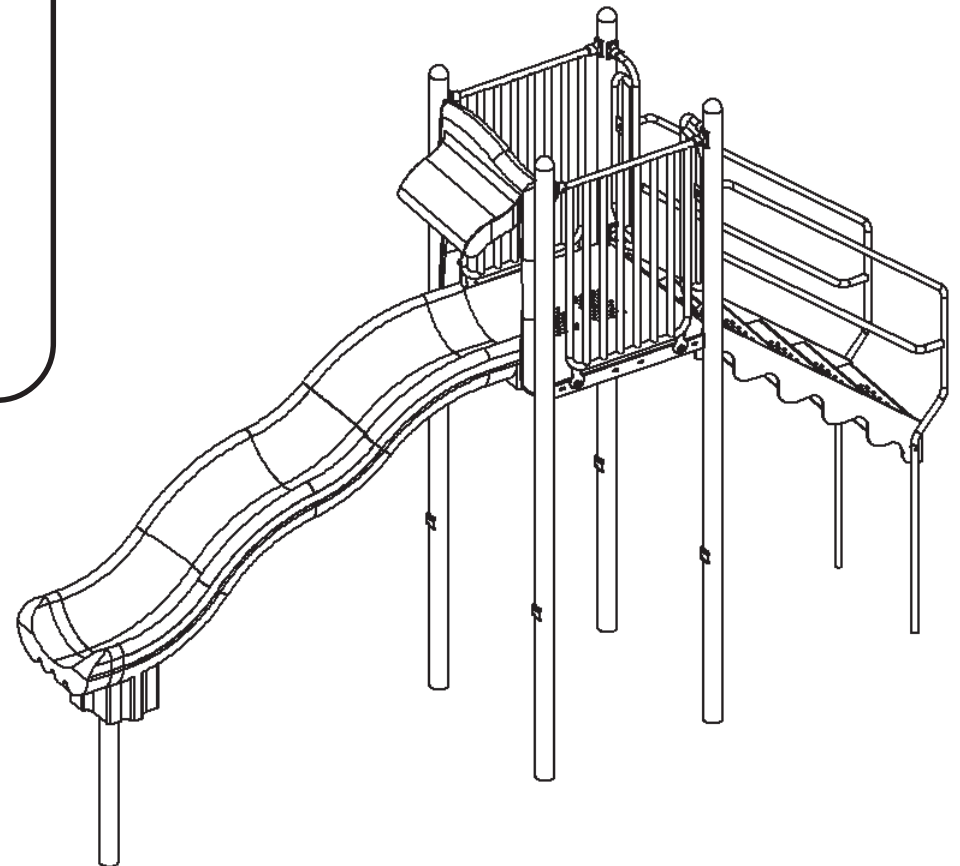
NOTE: Use of any other driver on C-Line fittings may result in damage to tool and/or hardware!

CONCRETE REQUIRED: 19 cubic feet

NOTE: Concrete must have a minimum rating of 2,500 psi and must be mixed per manufacturer's recommendations.

WEIGHT: 650 lbs.

**FREESTANDING 48" WAVE SLIDE
#81001048XX**



PRE-INSTALLATION CHECK:

Compare all items received to the packing list. Notify your local sales representative immediately if any parts are missing or damaged.

We are not responsible for items discovered missing after 72 hours from time of delivery!

Before beginning installation, make sure that you have read and understand the *Installation Introduction* manual that was supplied to you by Playland. If you did not receive a copy, or if you have a question regarding anything covered in this manual, contact your local sales representative.

INSTALLATION GUIDELINES

STEP 1

Refer to PLAN VIEW and to determine location of platform.

STEP 2

Mark inside of vertical posts at 1-1/2" below platform height (EX: If platform height is 72", mark inside of posts at 70-1/2"). Drill a 21/64" hole into posts at marks.

STEP 3

Select four bolt hole gaskets. Place one gasket over each hole drilled in vertical posts. **NOTE:** The grommet will hold the gasket in place until the deck screws are installed.

STEP 4

Select platform, four 3/8"x1-1/2" self tapping TORX head screws and four 3/8"x7/8" flat washers. Hold platform in position. Secure platform to vertical posts by inserting screw through washer, gasket, slot in platform and into pre-drilled hole in each post (see Detail A).

STEP 4 - continued

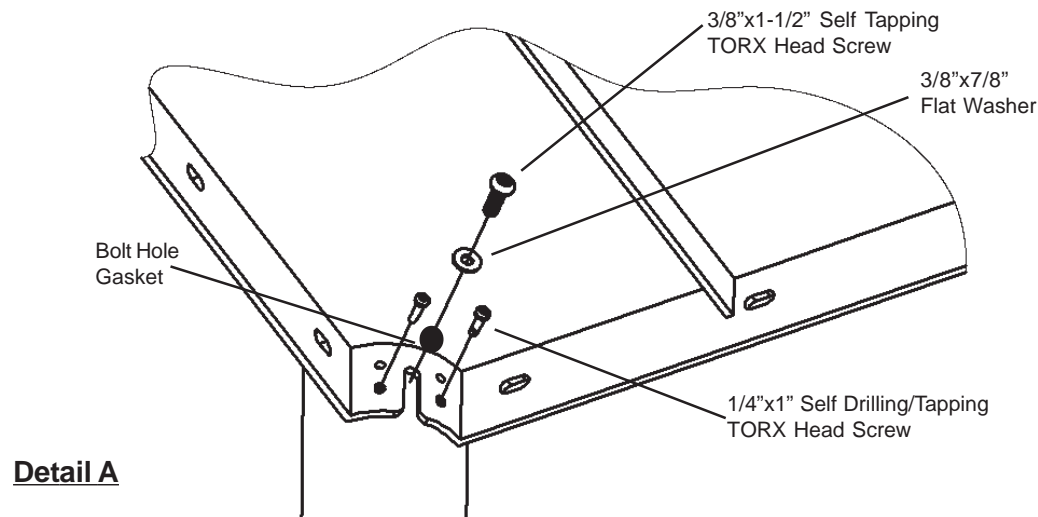
NOTE: Screw will cut through the grommet and will leave a flat rubber washer in place around the screw. **ALTERNATE:** Can install one or more self tapping TORX head screws and "hang" platform from these screws while other side is being attached. **NOTE:** Must use high speed 3/8" electric drill *w/clutch*. Use of any other driver may result in damage to tool and/or hardware.

STEP 5

Verify that platform is at correct elevation and that it is level. Select eight 1/4"x1" self drilling/tapping TORX head screws. Drive two self drilling/tapping screws into the bottom two holes at each corner of the platform (see Detail A). **NOTE:** Must use high speed 3/8" electric drill *w/clutch*. Use of any other driver may result in damage to tool and/or hardware!

STEP 6

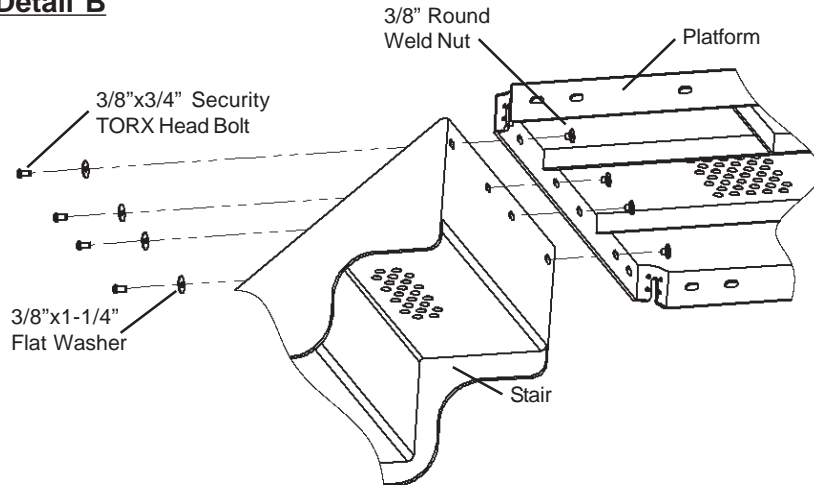
Tighten all hardware.



STEP 7

Select stair, four 3/8"x3/4" security TORX head bolts, four 3/8"x1-1/4" flat washers and four 3/8" round weld nuts. Set stair in place and block and brace into position. **NOTE:** Bottom of stair will be even with top of finished surfacing. From outside of stair, insert bolt through washer, stair, deck and into weld nut (see Detail B). Gently tighten until all connections are made then fully tighten hardware. Provide support for stair until installation is complete.

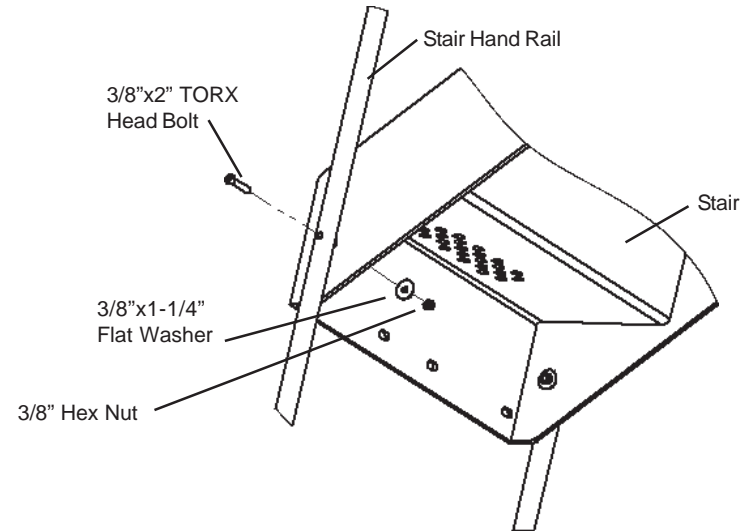
Detail B



STEP 8

Select handrails, two 3/8"x2" TORX head bolts, two 3/8"x1-1/4" flat washers and two 3/8" hex nuts. Set handrail in place against stairs. From outside of stairs, insert bolt through handrail, stair, washer and into nut (see Detail D). Tighten hardware. Repeat for other handrail.

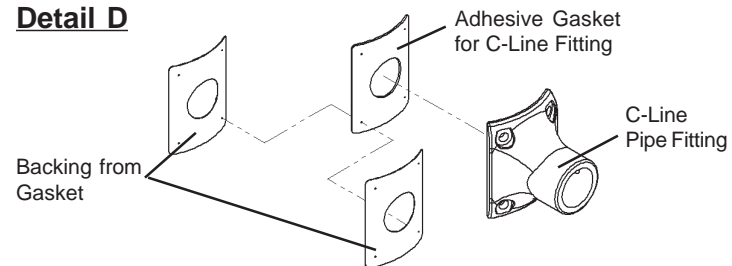
Detail C



STEP 9

Select four C-Line pipe fittings and four adhesive gaskets. Remove backing from one side of adhesive gasket and press on to back side of fitting. **NOTE:** Gasket is covered with a strong adhesive -- do not press on fitting until gasket is centered. Repeat process for remaining gaskets and fittings (see Detail D).

Detail D

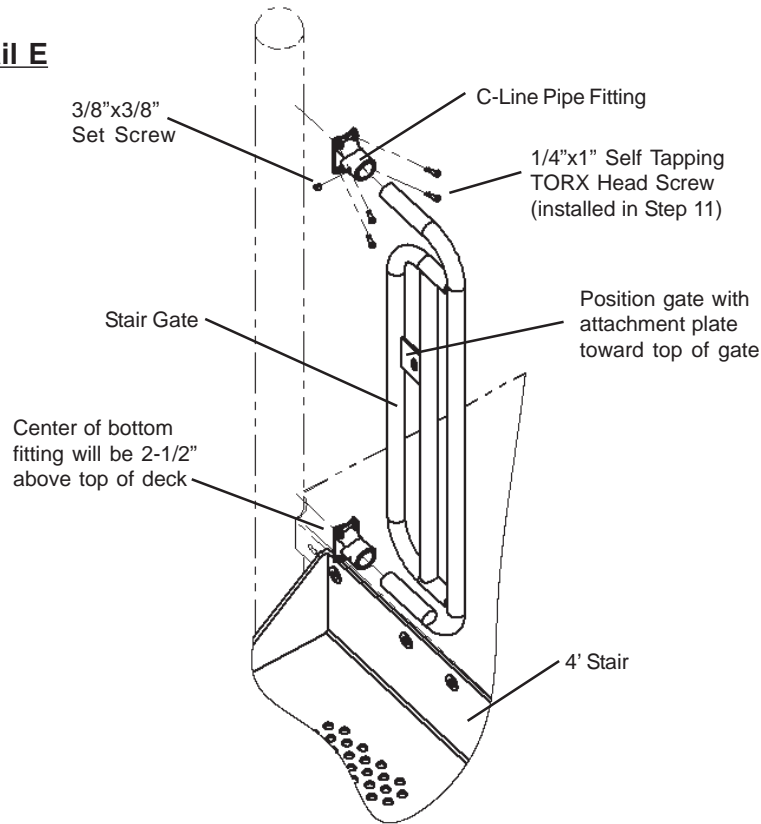


INSTALLATION GUIDELINES

STEP 10

Select two C-Line pipe fittings with gaskets attached, two 3/8"x3/8" set screws and one stair gate. Position gate so that attachment plate is closer to top of gate. Remove backing from other side of fittings. Slide fittings over ends of stair gate. Hold gate in position making sure that it is oriented correctly, aligned with hand rails, level, plumb and at correct height. **NOTE:** Center of bottom fitting will be 2-1/2" above top of deck. When gate is positioned correctly, and handrails are lined up with holes in gates, press fittings on to vertical posts. **NOTE:** Gasket is covered with a strong adhesive -- do not press into place until stair gate is positioned correctly (see Detail E). Install and tighten one set screw per fitting.

Detail E



STEP 11

Select eight 1/4"x1" self tapping TORX screws. Secure each fitting to vertical post by installing four screws into each fitting. Lightly tighten until all four self tapping screws are installed. Then tighten all four self tapping screws. Repeat process for remaining fitting (see Detail E). **NOTE:** Must use high speed 3/8" electric drill w/clutch. Use of any other driver may result in damage to tool and/or hardware.

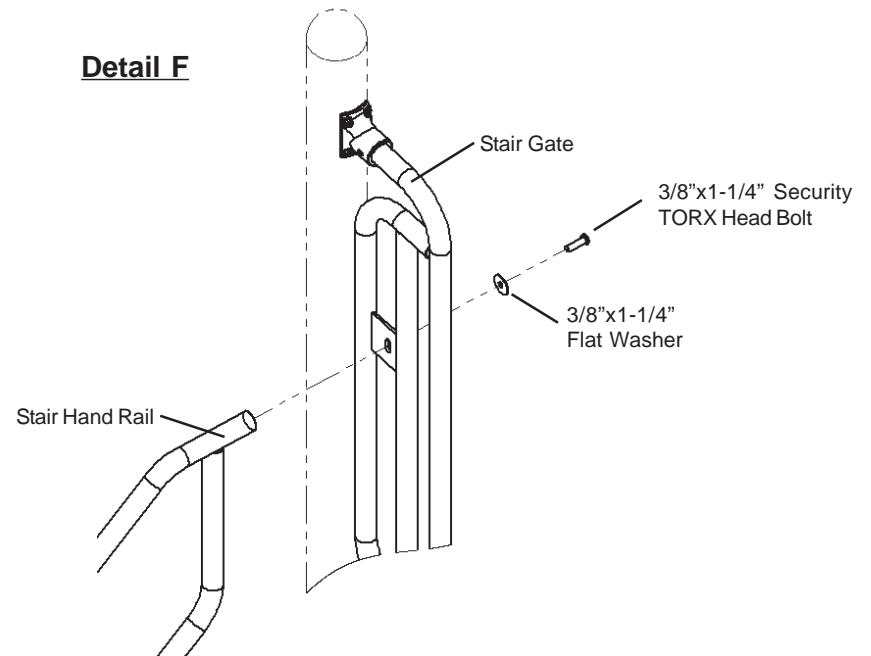
STEP 12

Repeat Steps 10-11 for remaining stair gate.

STEP 13

Select one 3/8"x1-1/4" TORX head bolt and one 3/8"x1-1/4" flat washer. Attach handrail to gate by inserting bolt through washer, gate and screwing into handrail (see Detail F). Repeat for other handrail. Gently tighten until installation is complete.

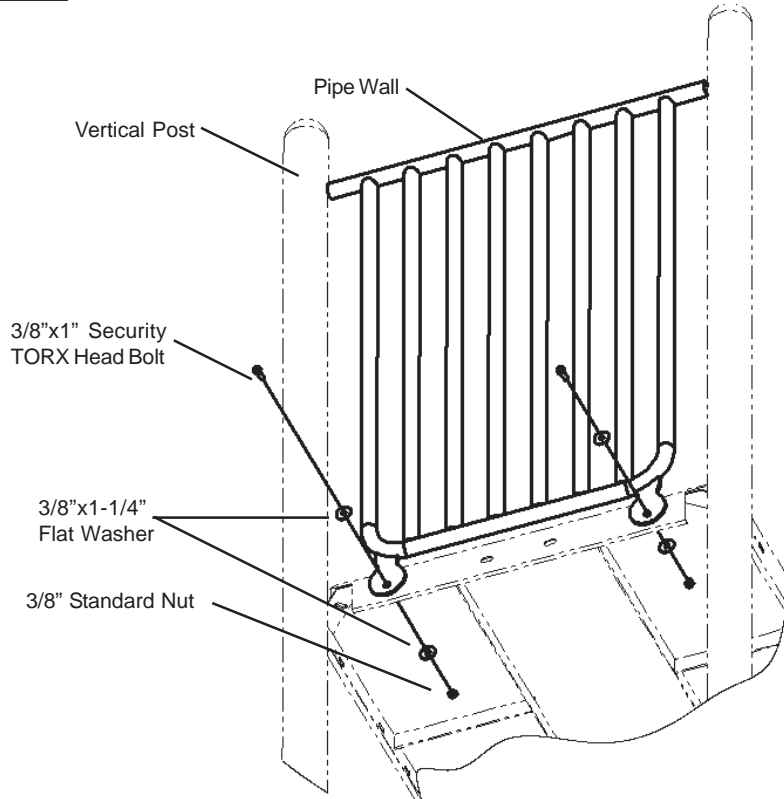
Detail F



STEP 14

Select pipe wall, two 3/8"x1" security TORX head bolts, four 3/8"x1-1/4" flat washers and two 3/8" standard nuts. Set pipe wall in place and align holes in pipe wall with holes in deck. From outside of deck, insert bolt through washer, pipe wall, deck, washer and into nut (see Detail G). Repeat process for other side of pipe wall. Do not tighten hardware at this time.

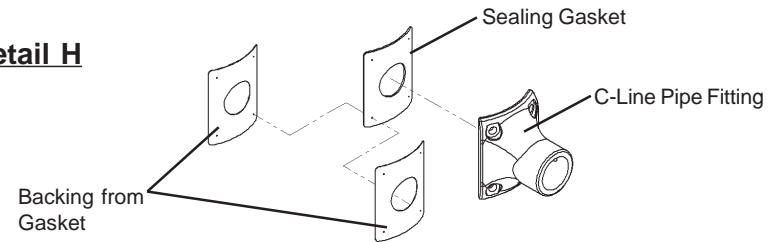
Detail G



STEP 15

Select one sealing gasket and one C-Line pipe fitting. Remove backing from one side of gasket and press on to back side of fitting. **NOTE:** Gasket is covered with a strong adhesive - do not press on fitting until gasket is centered. Repeat process for remaining gasket and fitting (See Detail H).

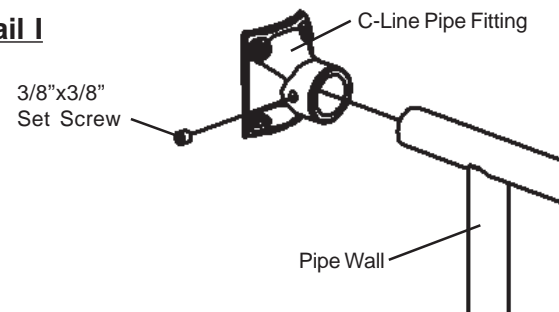
Detail H



STEP 16

Select two C-Line pipe fittings and two 3/8"x3/8" set screws. Remove backing from other side of gaskets. Tilt top of pipe wall away from posts. Slide fittings over ends of pipe wall (See Detail I) as far as possible. Tilt pipe wall toward posts. Center pipe wall in grid and assure that it is level and plumb. Slide each fitting toward vertical post and press into place. **NOTE:** Gasket is covered with a strong adhesive -- do not press fitting into place until pipe wall is in correct location. Install and tighten set screws.

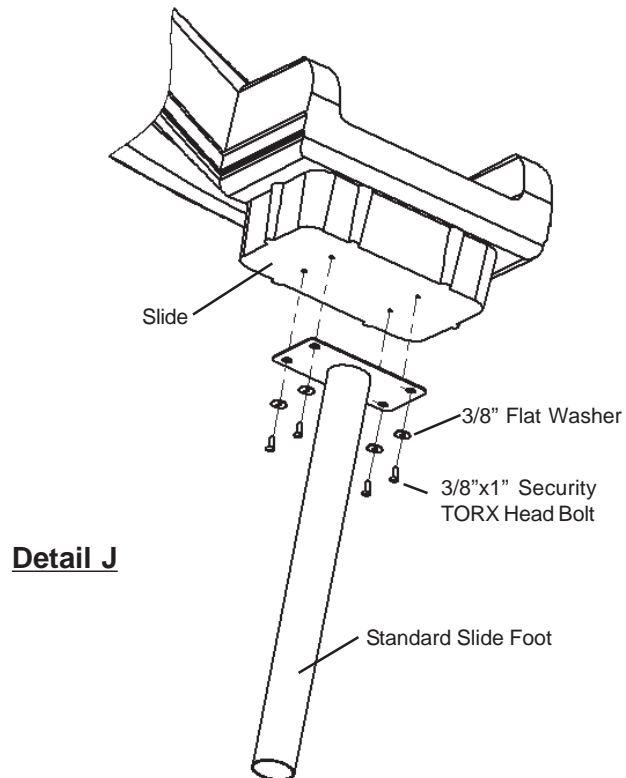
Detail I



STEP 17

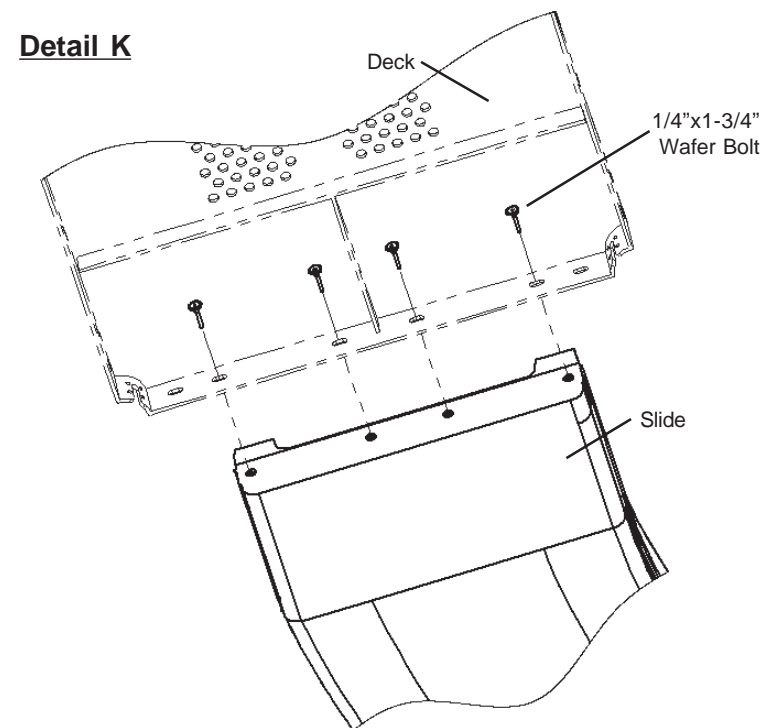
Select slide, standard slide foot, four 3/8"x1" security TORX head bolts and four 3/8" flat washers. Attach slide foot to slide by inserting bolt through washer, slide foot and into slide (see Detail J).

NOTE: Slide will be pre-drilled with threaded inserts installed.



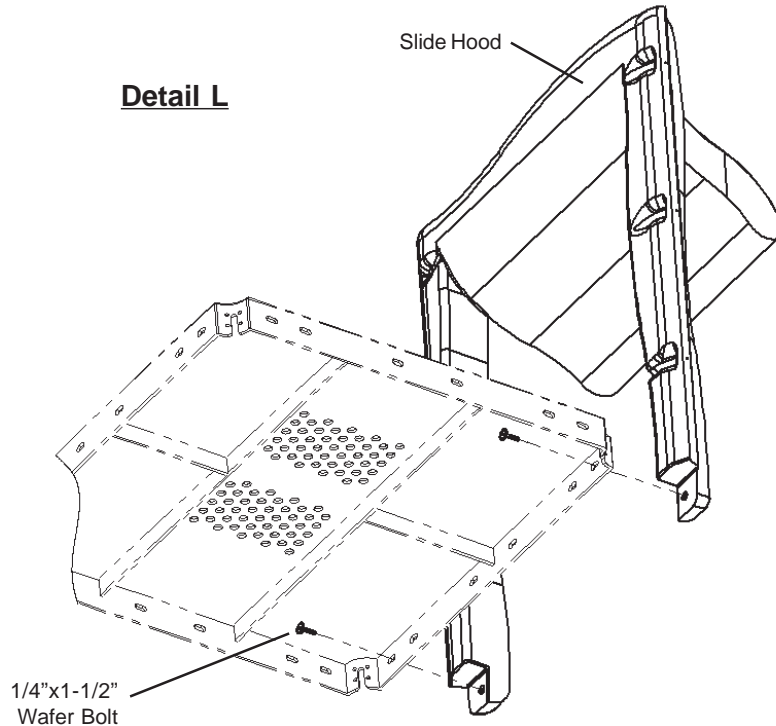
STEP 18

Select slide and four 1/4"x1-3/4" wafer bolts. Set slide in place. Block and brace to correct height. Attach slide to deck by inserting wafer bolt through deck and into slide (see Detail K). **NOTE:** Slide will be pre-drilled with threaded inserts installed.



STEP 19

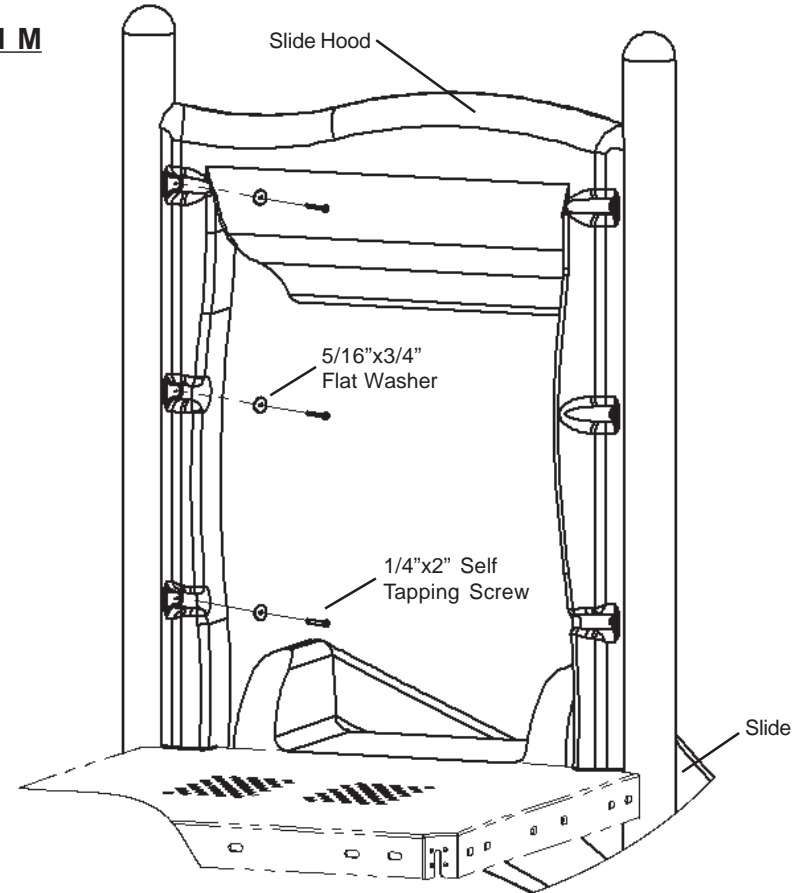
Select two 1/4"x1-1/2" wafer bolts and slide hood. Set slide hood in place with bottom of slide hood resting flush against deck. Align bottom holes in slide hood with two outermost holes in deck. From underneath deck, attach slide hood to deck using wafer bolts as shown in Detail L.



STEP 20

Select six 1/4"x2" self tapping screws and six 5/16"x3/4" flat washers. Verify that hood is level and plumb. Secure to vertical posts using screws and washers (3 per side) as shown in Detail M.

Detail M



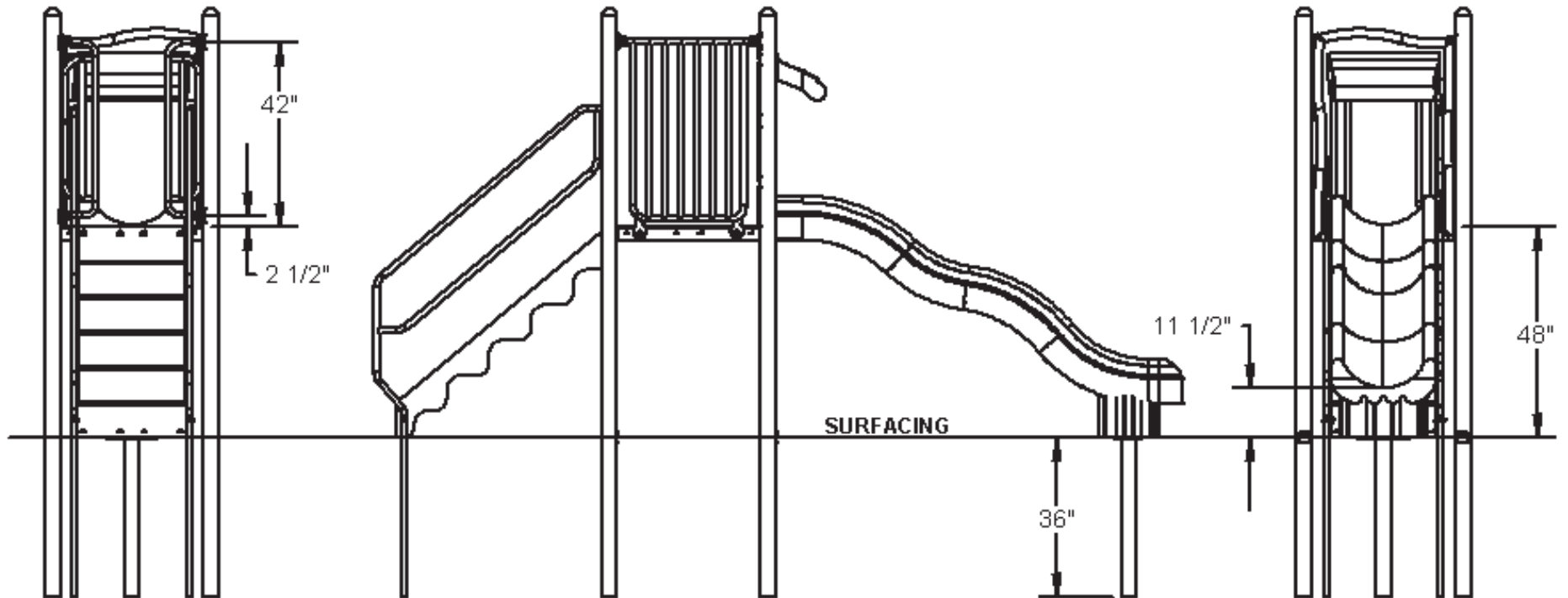
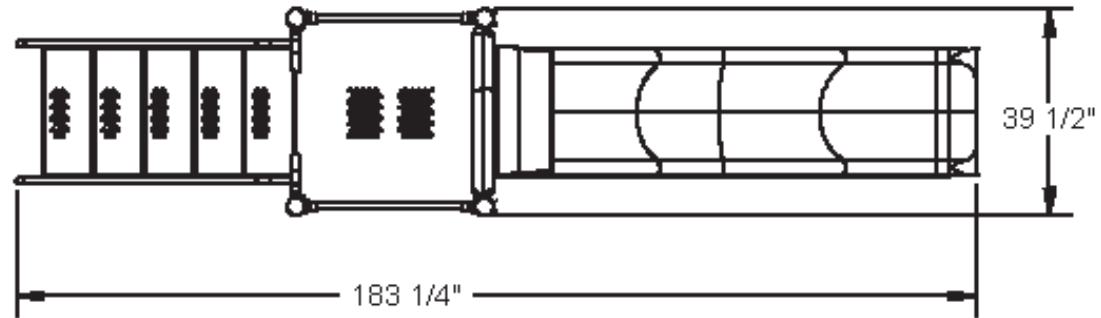
STEP 21

Ensure all hardware is secure and that slide and hood are level and plumb.

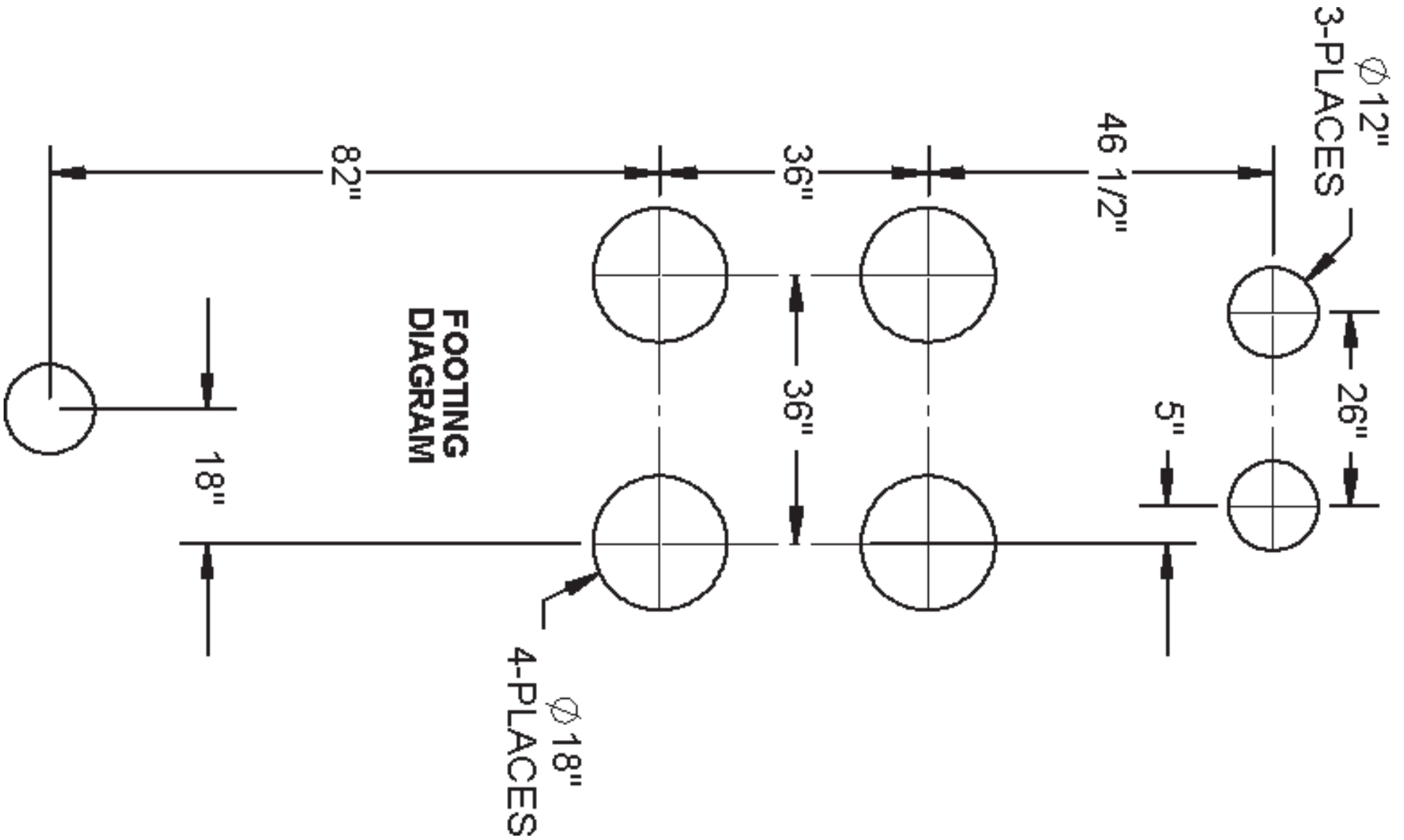
STEP 22

Pour concrete in footing to correct level. **Allow concrete to harden for at least 48 hours before use.** **NOTE:** Concrete must have a minimum rating of 2,500 psi and must be mixed per manufacturer's recommendations.

OVERHEAD VIEW

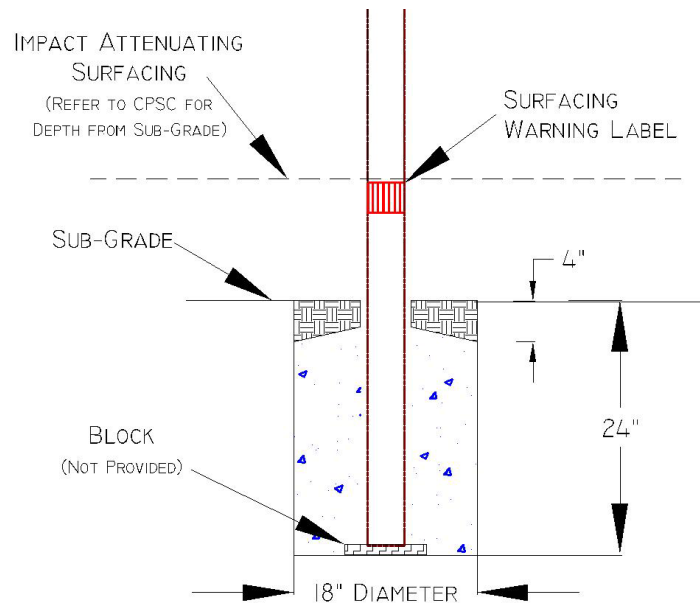


ELEVATION VIEW

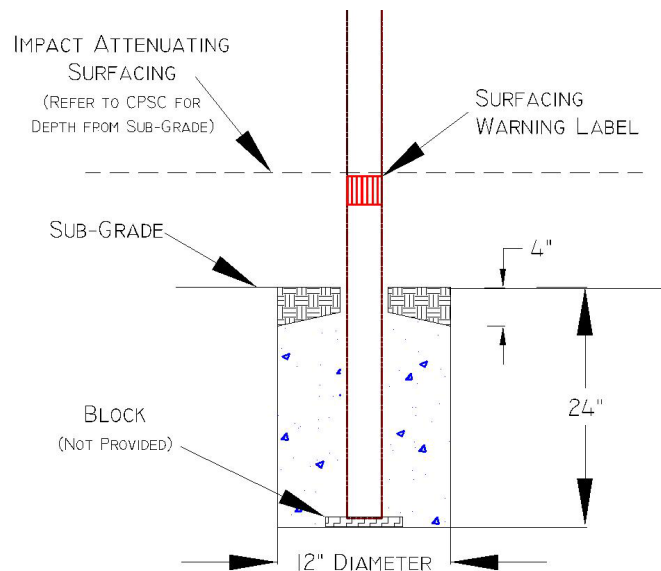


INSTALLATION GUIDELINES

BILL OF MATERIALS



FOOTING ELEVATION - VERTICAL POST



FOOTING ELEVATION - STAIR AND SLIDE FOOT

ITEM #	QTY.	PART NO.	DESCRIPTION
1	1	WOWFRSTD	Free Standing Tool Kit
2	1	07200XX	Slide - 48" Wave 3 1/2"
3	4	30003011XX	Post - 3.5" x 132" w/Cap Adventure
4	1	10502360XX	Platform - 36" Bolt-On Square
5	2	AFB40846XX	Pipe Wall - 3 1/2" C-Line Adventure
6	1	PFM21769XX	Stair - 48" High 3 1/2"
7	1	00034XX	Single wide hood - 36"
8	6	0097907	Washer - 5/16" Flat
9	40	208000192	Screw - 1/4"x1" Self Tapping TORX w/patch
10	6	208000193	Screw - 1/4"x2" Self Tapping
11	8	2080011192	BH Bolt 3/8"x1" TORX w/patch
12	2	20800114XX	Bolt - 3/8"x1-1/4" Security TORX w/patch
13	2	2080011792	BH Bolt 3/8"x1-3/4" TORX head w/patch
14	8	2080040192	Set Screw - 3/8"x3/8"
15	4	2080060192	Wafer Bolt - 1/4"x1-3/4"
16	18	2090010292	Washer - 3/8"x1-1/4" Flat
17	4	2090010492	Washer - 3/8"x7/8"
18	6	2100010392	Weld Nut - 3/8" round
19	4	2100040292	Hex Nut - 3/8"
20	1	30008501XX	Standard Slide Foot
21	4	812052T	BH Bolt - 3/8"x3/4" TORX w/patch
22	2	AFB40779XX	Wldmt. Stair Gate 3.5"
23	4	ARS4-420-500	1/4"-20 Threaded Insert
24	8	CTG10004XX	Fitting - Pipe Mount 3.5"
25	4	HDW13733XX	Bolt - 3/8"x1-1/2" Self Tapping TORX
26	8	HDW32550XX	Sealing Gasket - 3-1/2"
27	2	HRA01762XX	Handrail - 48" Stairs
28	2	2080060193	Wafer Bolt - 1/4"x1-1/2"

PRODUCT SPECIFICATIONS

SEALING GASKET

- Neoprene rubber
- 60 +/- 5 durometer hardness
- Double sided adhesive

STAIRS

- Sides - 12 gauge HR steel
- Treads - 12 gauge HRPO steel
- Bead - 0.25" dia HR steel
- Plastisol coating

STAIR GATE & STAIR RAILS

- 1-1/4" O.D. round steel tube
- 14 gauge steel
- 50,000 psi yield strength (ASTM E-8)
- 55,000 psi tensile strength (ASTM E-8)
- Triple zinc coated undercoat
- Powder coat finish

PIPE WALL

- 1-1/4" O.D. round steel tube
- 14 gauge steel
- 50,000 psi yield strength (ASTM E-8)
- 55,000 psi tensile strength (ASTM E-8)
- Triple zinc coated undercoat
- Powder coat finish

FITTINGS

- Aluminum alloy (GM70B) manufactured and tested in accordance with the following ASTM Standards: B179-68, B108-68, E10-66, E8-66
- Powder coat finish
- Predrilled

PLATFORM

- 12 gauge steel -- hot rolled, pickled and oiled flat
- 50,000 psi yield strength (ASTM E-8)
- 55,000 psi tensile strength (ASTM E-8)
- Perforated surface
- Plastisol coating

PLASTISOL COATING

- MISTAFLEX V4612
- 80-100 mills thick
- Shore A, 65-70 durometer min. hardness (ASTM D2240-66T)
- 1,000 psi minimum tensile strength (ASTM D638, D412)
- Resistant to abrasion (ASTM D4060)
- UV stabilized
- Self-extinguishing
- Textured finish shows less dirt
- Increased traction

PRODUCT SPECIFICATIONS

SLIDE / HOOD

- 1st quality linear low density Polyethylene (ExxonMobil LL8450)
- Rotational molded
- 2,550 psi tensile strength (ASTM D638)
- UV stabilized
- Anti-static inhibitors

SLIDE FOOT

- 3.5" O.D. support post
- 13 gauge galvanized steel support post
- 45,000 psi yield strength (ASTM E-8)
- 48,000 psi tensile strength (ASTM E-8)
- 12 gauge galvanized steel plate
- Triple Flo-Coated corrosion protection (interior/exterior)
- Interior and exterior corrosion resistance (ASTM B-117)
- Manufactured per ASTM 500
- Powder coat finish

HARDWARE

- Conforms to ANSI/ASCE-8-90
- Tamper resistant
- Special tool required for install

PRETREATMENT WASH PRIMER

- 4860-420 primer / 1000-44 activator
- Polyvinyl-butyril resin based primer
- Used on all milled steel and all weld joints
- Designed to give adhesion to a wide variety of metal substrates
- Provides added metal protection against rust
- Imparts extra durability to topcoat (powder coat)
- When reduced properly, it meets the definition of a "pretreatment" primer found in many air quality regulations

POWDER COAT FINISH

- TGIC polyester
- Electrostatic application
- Baked-on @ 400 degrees
- 5-7 mills thick
- Lead free
- High gloss
- No peel / No flake finish
- Resistant to salt spray (ASTM B117)
- Resistant to humidity (ASTM D2247)
- Direct/Indirect impact 120 in. pounds (ASTM D2794)
- Good to excellent resistance to most solvents, oils, acids and alkalies