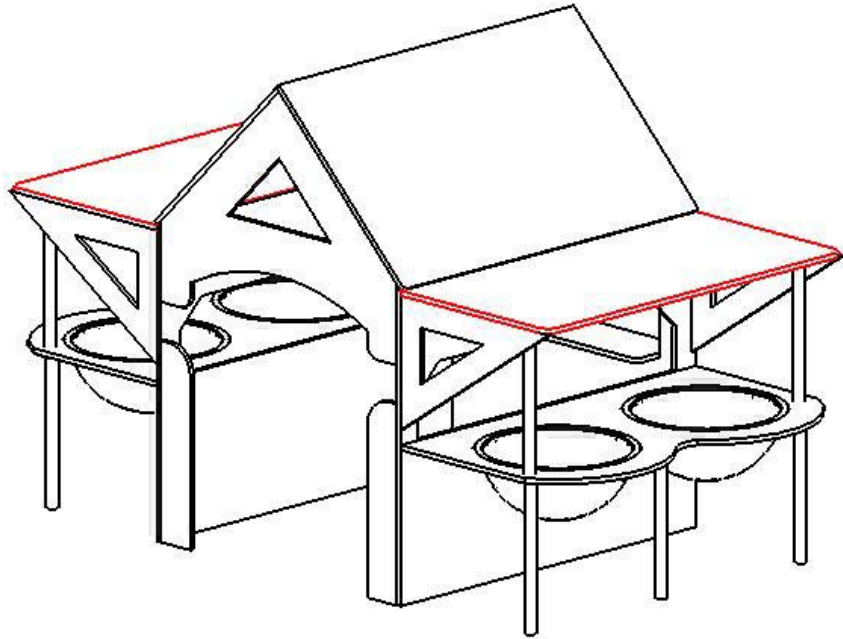


SAND AND WATER SNACK SHOP  
(902-827)



MATERIAL LIST:

FRONT TOP	1
SMALL FRONT SIDE	2
BACK	1
ROOF PANEL	2
SIDE PANEL	2
CANOPY ROOF	2
CANOPY SUPPORTS	4
SHELF	1
BOWL PANELS	2
PLASTIC BOWLS	4
BOWL PANEL SUPPORT PIPES	6
CANOPY SUPPORT PIPES	4
CANOPY SUPPORT FRAME	2
CORNER BRACKETS	47
5/16" X 1" BUTTON HEAD NUT	122
5/16" X 3/4" BUTTON HEAD BOLT	122
5/16" FLAT WASHER	122
3/8" FLAT WASHER	160
3/8" X 1 1/4" BUTTON HEAD BOLT	34
3/8" x 2" BUTTON HEAD BOLT	6
3/8" NYLON INSERT LOCKNUT	32
DRAIN ASSEMBLY	4
7/32" HEX WRENCH	1
3/16" HEX WRENCH	2

SAND AND WATER SNACK SHOP  
(902-827)

**SPECIFICATIONS:**

Panels: Made from 0.75" high-density polyethylene with UV inhibitor.

Corner Brackets: Nickel coated steel

Metal Parts: Powder Coated Galvanized steel

Hardware: Stainless and Nickel Coated Steel

Weight: 700 lbs.

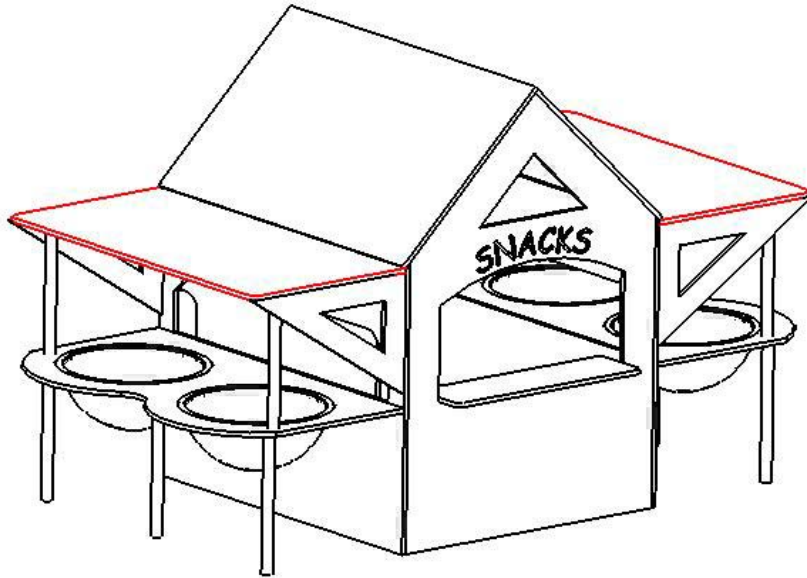
Required Area: 10' X 5'5"

**INSTALLATION INSTRUCTIONS:**

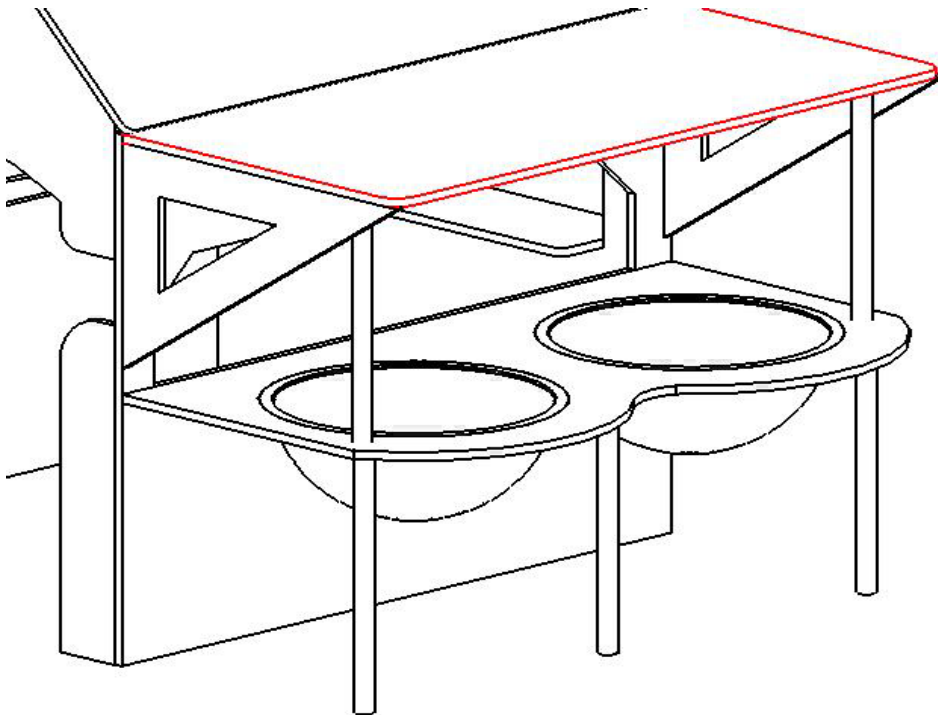
***IMPORTANT:*** Read all instructions thoroughly before beginning installation.

1. Install two corner brackets along the side of one of the side panels with 5/16" x 1" button head nut, 5/16" x 3/4" button head bolt, 5/16" flat washer, and 3/8" flat washer. Repeat this for the other side. DO NOT TIGHTEN.
2. Now attach these side panels between the back panel and the front top panel with 5/16" x 1" button head nuts, 5/16" x 3/4" button head bolts, 5/16" flat washers, and 3/8" flat washers. Then attach the smaller front panels to the side panels.
3. Attach 8 corner brackets to the 8 holes located along the top of the upper side panels with 5/16" x 1" button head nuts, 5/16" x 3/4" button head bolts, 5/16" flat washers, and 3/8" flat washers. These brackets are for the roof panels.
4. Of the two roof panels one is shorter than the other by 3/4", this allows the longer one to overlap the short one at the peak of the roof.
5. Now install the shorter roof panel to the 4 corner brackets along the roofline. Make sure the top edge of the roof is flush to the peak of the roof. Next install the other roof panel making sure it overlaps the first panel.
6. Now install the counter shelf to the back panel with the same corner bracket (4) hardware combination. Tighten all hardware.

SAND AND WATER SNACK SHOP  
(902-827)



7. Next attach the canopy support frames to the top 4 holes along each side panel by using the 5/16" x 1" button head nuts and 5/16" x 3/4" button head bolts with one 3/8" washer and one 5/16" washer for each set. Line up and tighten all 4 bolts on each frame. NOTE: The front of the canopy frames don't have any holes located on the outside edge.
8. Then attach the plastic canopy supports to the sides of the frames per illustration below.



SAND AND WATER SNACK SHOP  
(902-827)

9. Now install the plastic bowl panels (2) to the 4 holes along the bottom side of the window area located on each side panel by using the same corner bracket hardware combinations. When installing these panels, the bowl support pipes (6) can be attached with the threaded nut insert facing up with the canopy support pipe with the bolt going through the plastic down into the lower pipes. Just turn the pipes to tighten them. This will only be done on the 2 outside pipes, the one pipe in the middle will get a 3/8" x 1 1/4" bolt and 3/8" washer through it and tightened. Repeat this for the other side.
10. Next attach the plastic canopy to each of the metal canopy frames using the same hardware combination. The top of the 4 canopy supports will be attached to the frame and canopy with 3/8" x 2 " button head bolts and 3/8" flat washers. Tighten all hardware.
11. Lay the 4 plastic bubbles into each of the holes in the bowl panels. These can be attached to the panels with 3/8" x 1 1/4" button head bolts, 3/8" washers, and 3/8" locknuts if desired or they can just be allowed to rest in the panels. The weight of the sand and water will keep the children from moving them. The drain assemblies are attached to the bottom of the bowls by drilling a 3/4" hole in the lowest part of the bowl. Then the bushing and rubber washer is placed on the inside of the bowl and the locknut and cap are located on the bottom of the bowl. A small bead of silicone can be used to help in the sealing of the drains.

**MAINTENANCE:**

Periodically check all hardware for tightness, and tighten if necessary. If any parts are found to be faulty immediately discontinue use until the part/parts have been repaired or replaced. Check for any gouges, breaks, or cracks on plastic. Check all areas for integrity. Keep all areas clean, clean with **SOAP & WARM WATER ONLY.**