



TOT TOWN

FUN CENTER 1 902-813

ASSEMBLY INSTRUCTIONS

IMPORTANT

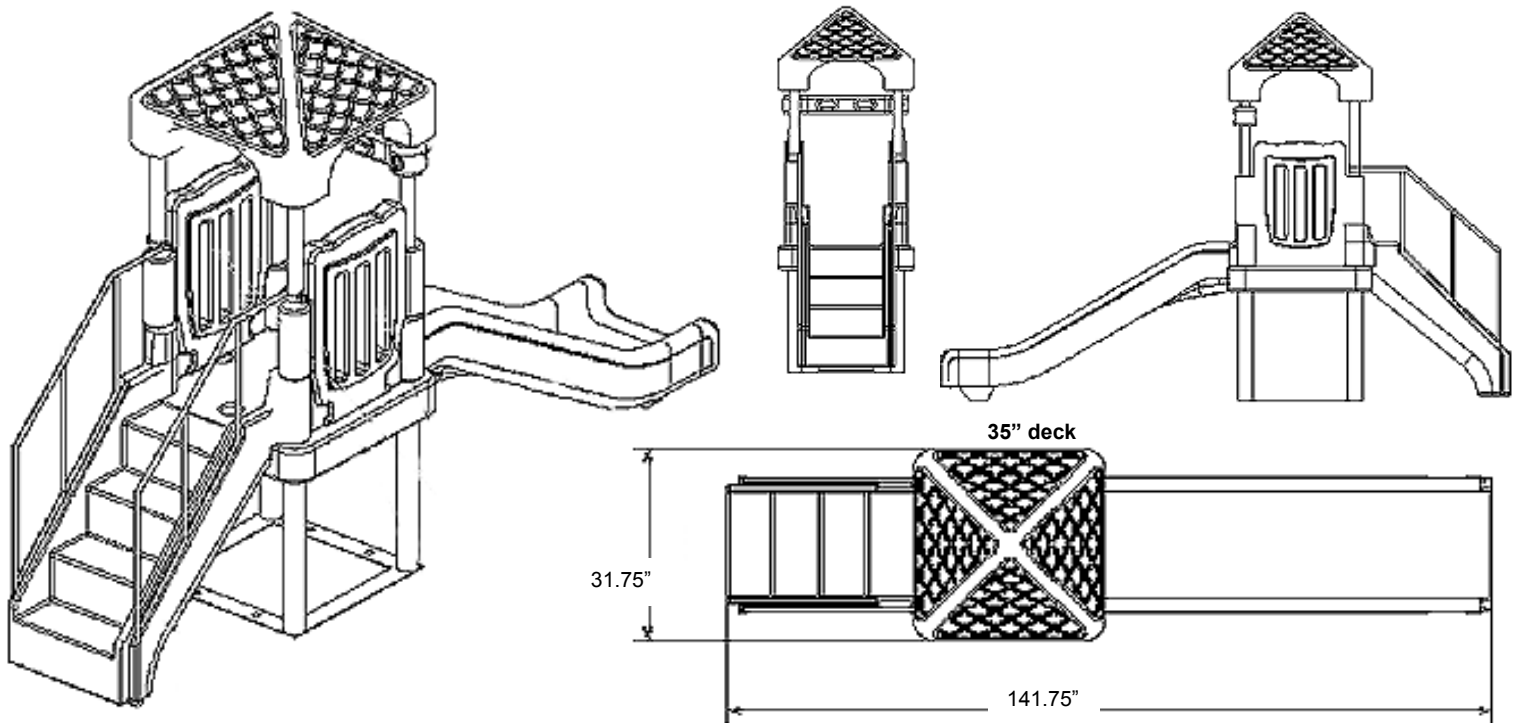
PLEASE RETAIN THIS INSTRUCTION SHEET IN YOUR FILES. IT CONTAINS IMPORTANT REPLACEMENT PARTS INFORMATION. ALL EQUIPMENT SHOULD BE INSTALLED IN ACCORDANCE WITH THESE INSTRUCTIONS.

IT IS IMPORTANT TO USE AND MAINTAIN ALL PLAY EQUIPMENT PROPERLY. IMPROPERLY MAINTAINED PLAY EQUIPMENT CAN CAUSE SERIOUS INJURY. PERIODIC INSPECTIONS, MAINTENANCE, REPAIR AND/OR REPLACEMENT OF DAMAGED PARTS IS NECESSARY FOR SAFE OPERATION OF EQUIPMENT AND SAFETY OF USERS.

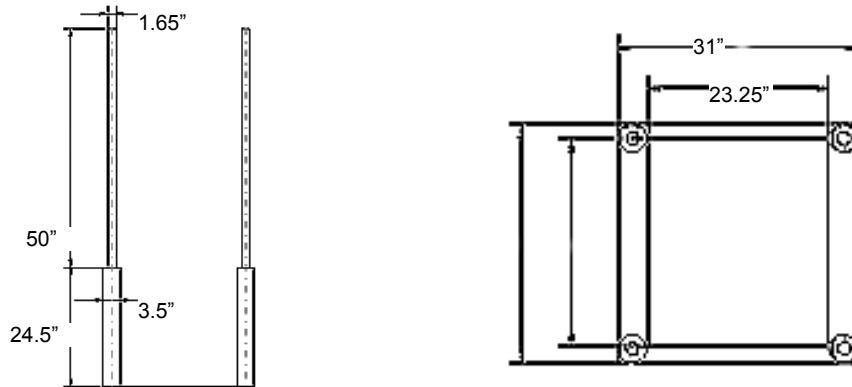
RESILIENT SURFACING SHOULD BE USED UNDER ALL PLAYGROUND EQUIPMENT.

THE SUGGESTED USE AREA IS TO BE COVERED BY THESE MATERIALS OUTLINED ON THE PLAN VIEW. NO OTHER PIECE OF EQUIPMENT OR ITS USE AREA MAY ENCROACH ON THIS USE AREA

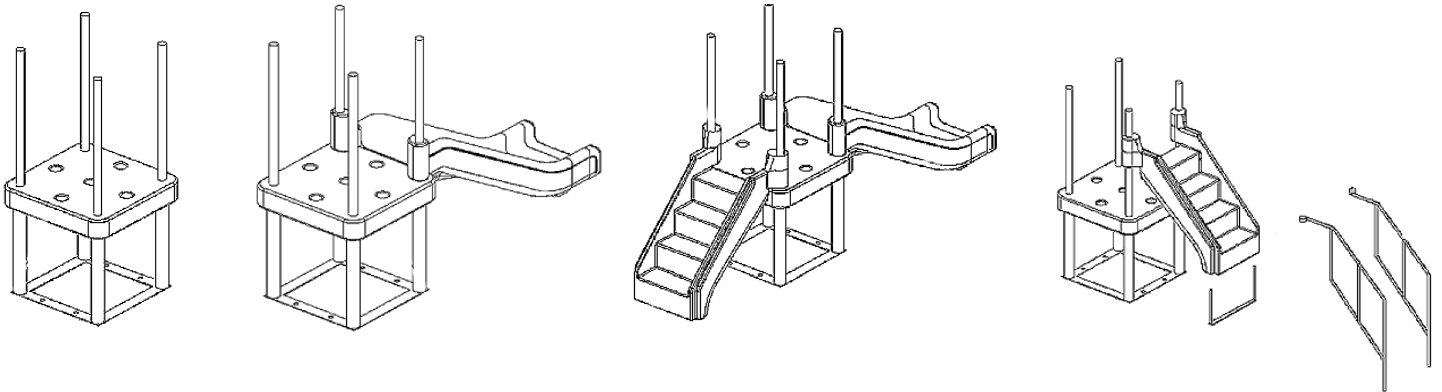
FOR MORE INFORMATION ON PLAYGROUND SAFETY, CONTACT THE CONSUMER PRODUCT SAFETY COMMISSION AT 800-638-2772 OR www.cpsc.gov



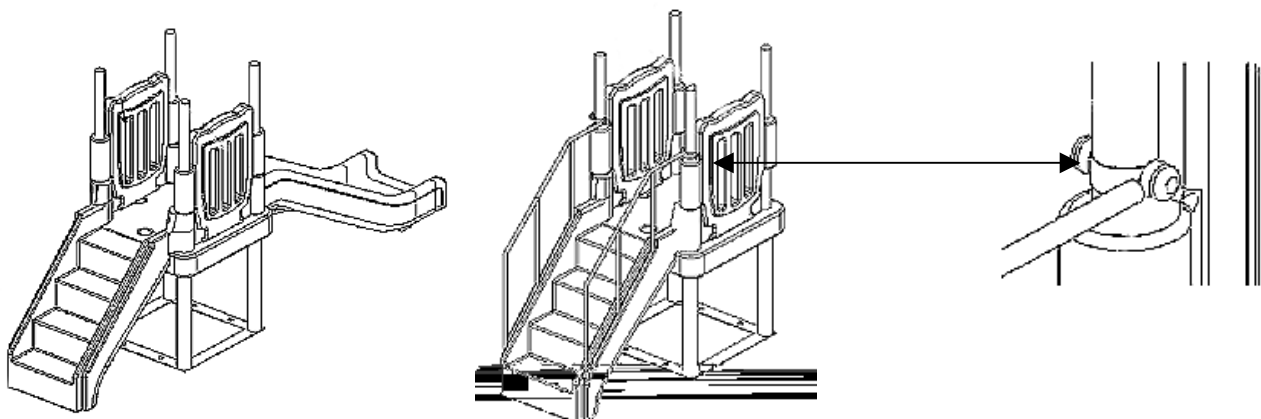
PACKING LIST	
QTY	DESCRIPTION
1	MAIN FRAME
1	PLATFORM 35" deck height
1	STEPS
2	HAND RAILS
1	SLIDE
1	SLIDE GUARD
2	TYPE 2 PLAIN
1	ROOF
1	HARDWARE BAG
TOTAL: 11 PIECES ON 1 SKID	
WEIGHT: 333 LBS	
CLASS 70	

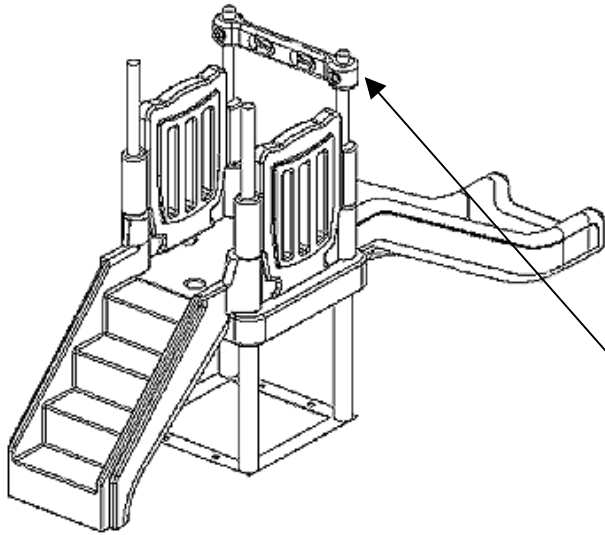


Stack the components over the posts according to the drawings below:

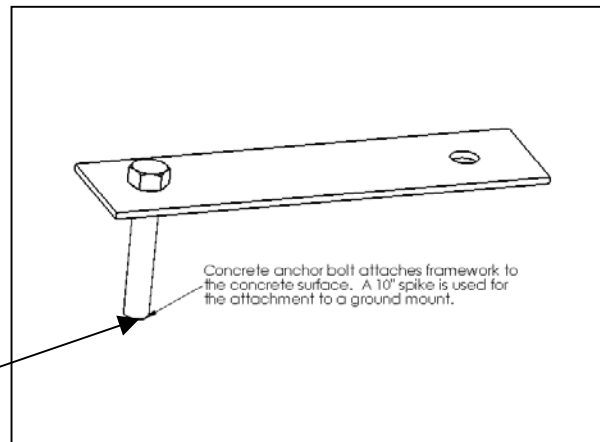
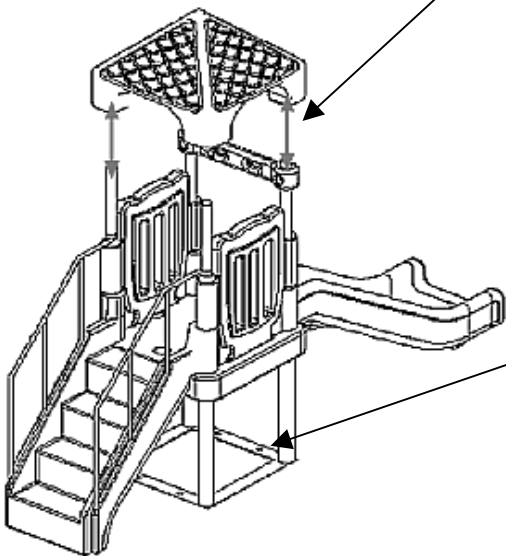
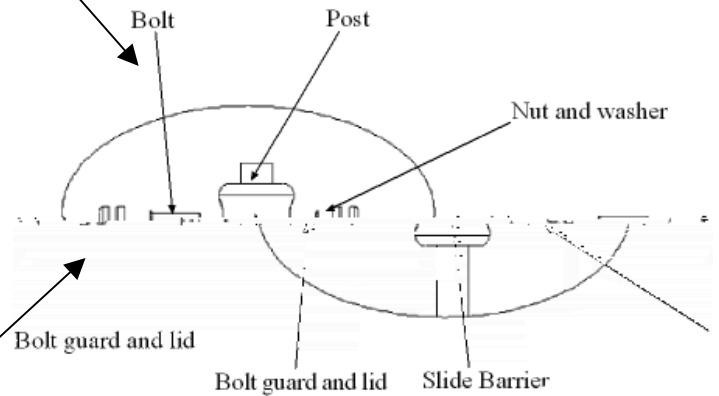
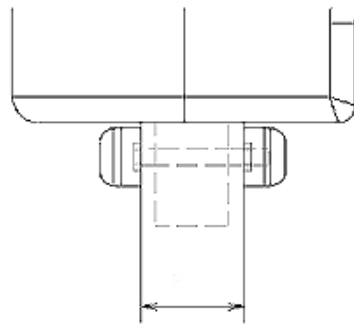
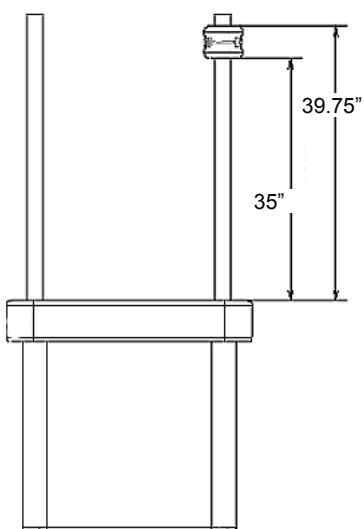


Attach handrails securely to posts as shown:





Drill 3/8" holes through posts, slide guards, and protrusions of roof that are inserted into tops of posts. Attach slide guard and roof with hardware provided.



Secure main structure to solid surface using anchor bolts, or secure structure to ground using 1/2" x 10" spikes. (not provided)