



TOT TOWN

FUN CENTER 2 902-814

ASSEMBLY INSTRUCTIONS

IMPORTANT

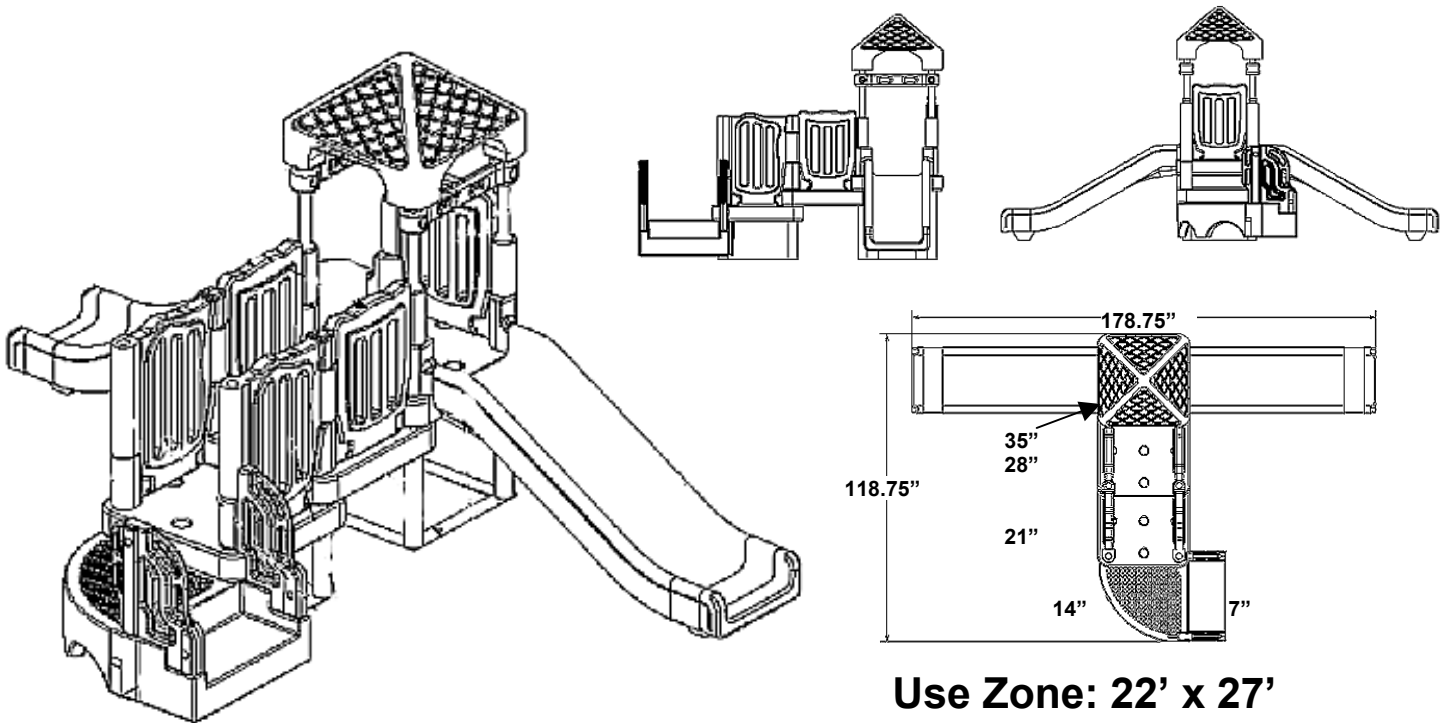
PLEASE RETAIN THIS INSTRUCTION SHEET IN YOUR FILES. IT CONTAINS IMPORTANT REPLACEMENT PARTS INFORMATION. ALL EQUIPMENT SHOULD BE INSTALLED IN ACCORDANCE WITH THESE INSTRUCTIONS.

IT IS IMPORTANT TO USE AND MAINTAIN ALL PLAY EQUIPMENT PROPERLY. IMPROPERLY MAINTAINED PLAY EQUIPMENT CAN CAUSE SERIOUS INJURY. PERIODIC INSPECTIONS, MAINTENANCE, REPAIR AND/OR REPLACEMENT OF DAMAGED PARTS IS NECESSARY FOR SAFE OPERATION OF EQUIPMENT AND SAFETY OF USERS.

RESILIENT SURFACING SHOULD BE USED UNDER ALL PLAYGROUND EQUIPMENT.

THE SUGGESTED USE AREA IS TO BE COVERED BY THESE MATERIALS OUTLINED ON THE PLAN VIEW. NO OTHER PIECE OF EQUIPMENT OR ITS USE AREA MAY ENCROACH ON THIS USE AREA

FOR MORE INFORMATION ON PLAYGROUND SAFETY, CONTACT THE CONSUMER PRODUCT SAFETY COMMISSION AT 800-638-2772 OR www.cpsc.gov



Use Zone: 22' x 27'

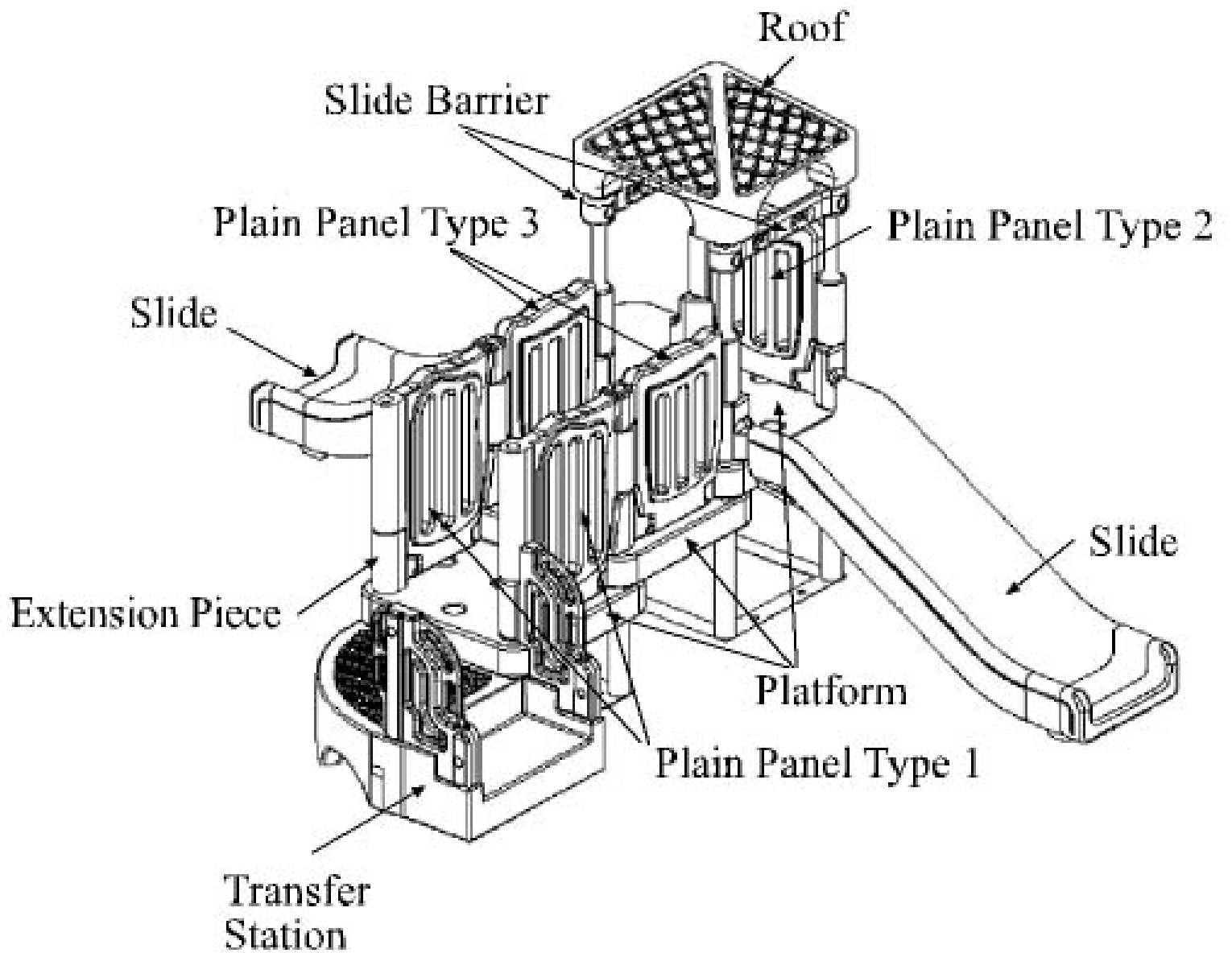
PACKING LIST

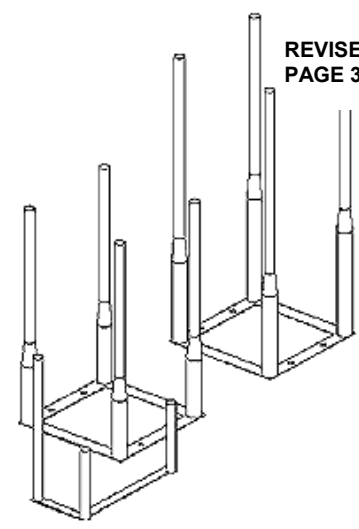
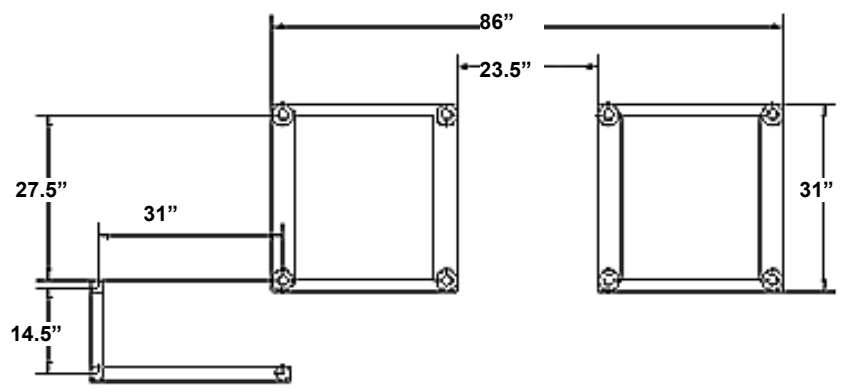
QTY	DESCRIPTION
2	MAIN FRAME
3	DECKS
1	TRANSFER STATION
2	HAND RAILS
2	SLIDE
2	SLIDE GUARD
2	PANEL TYPE 1
1	PANEL TYPE 2
2	PANEL TYPE 3
1	ROOF
1	EXTENSION PIECE

TOTAL: 20 PIECES ON 1 PALLETS

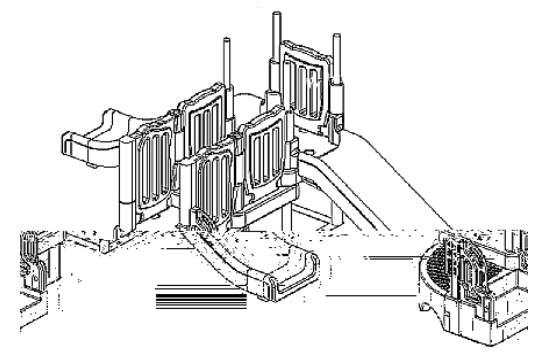
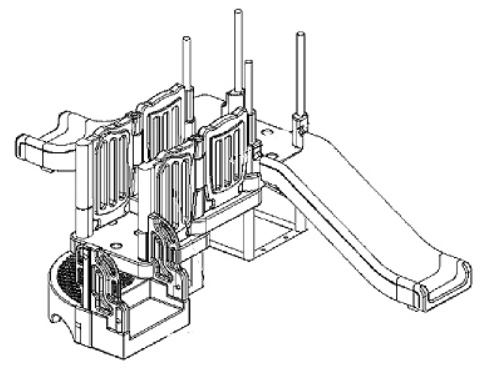
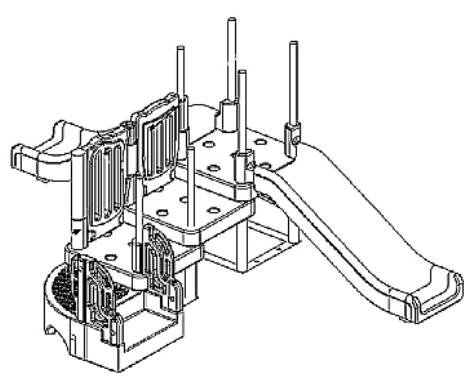
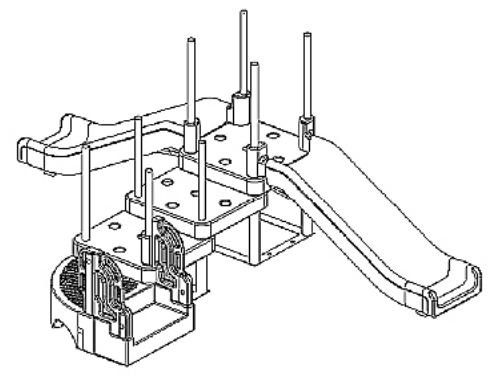
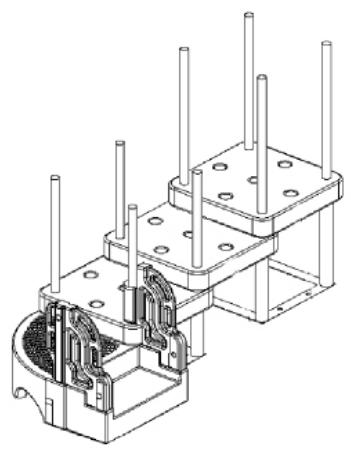
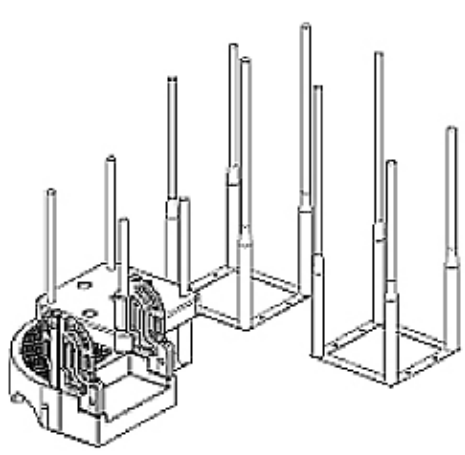
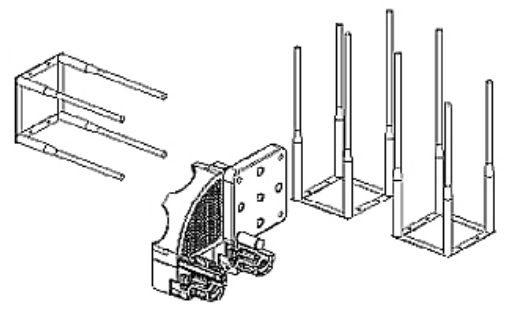
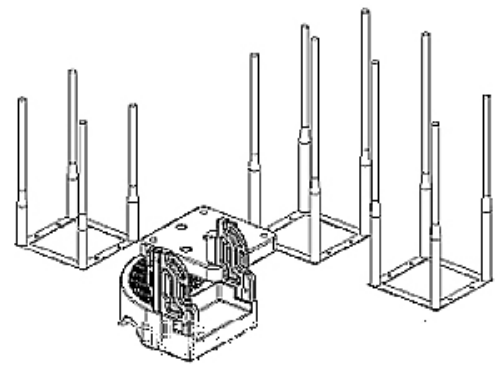
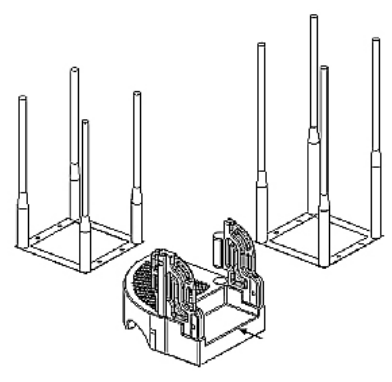
WEIGHT: 569 LBS

CLASS 70

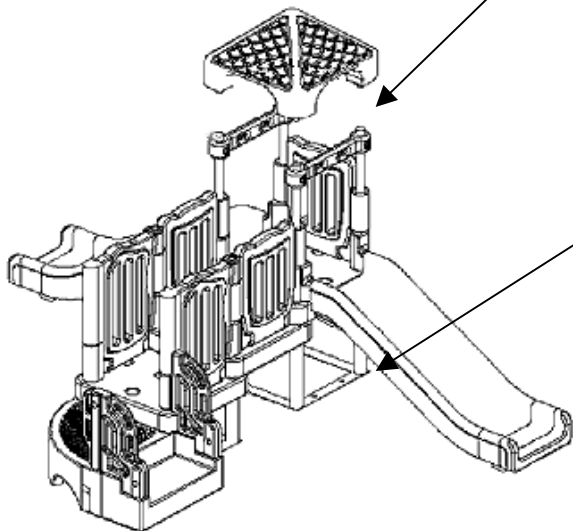
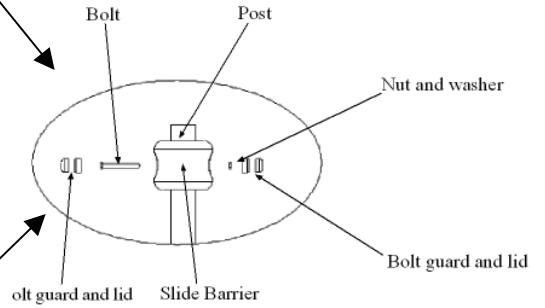
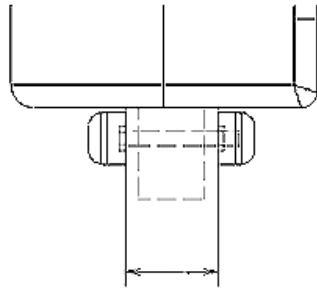
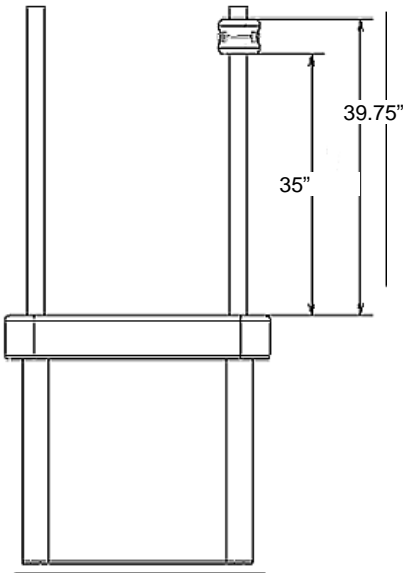
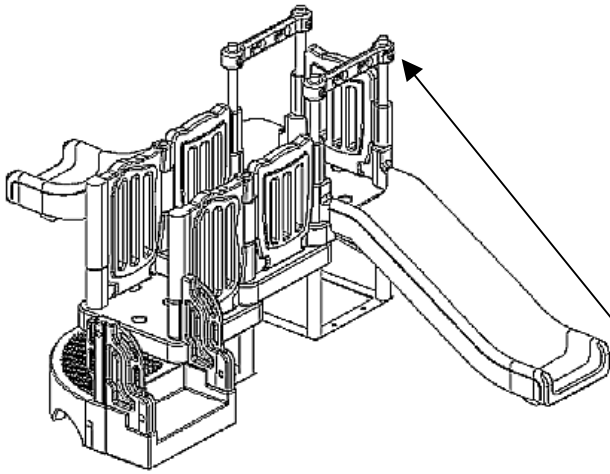




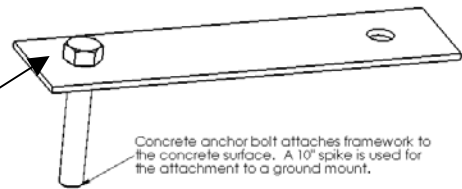
Stack the components over the posts according to the drawings below:



Attach slide guards and roof with hardware provided:



Secure structure to solid surface using anchor bolts, or secure structure to ground using 1/2" x 10" spikes. (Not provided)



Concrete anchor bolt attaches framework to the concrete surface. A 10" spike is used for the attachment to a ground mount.