



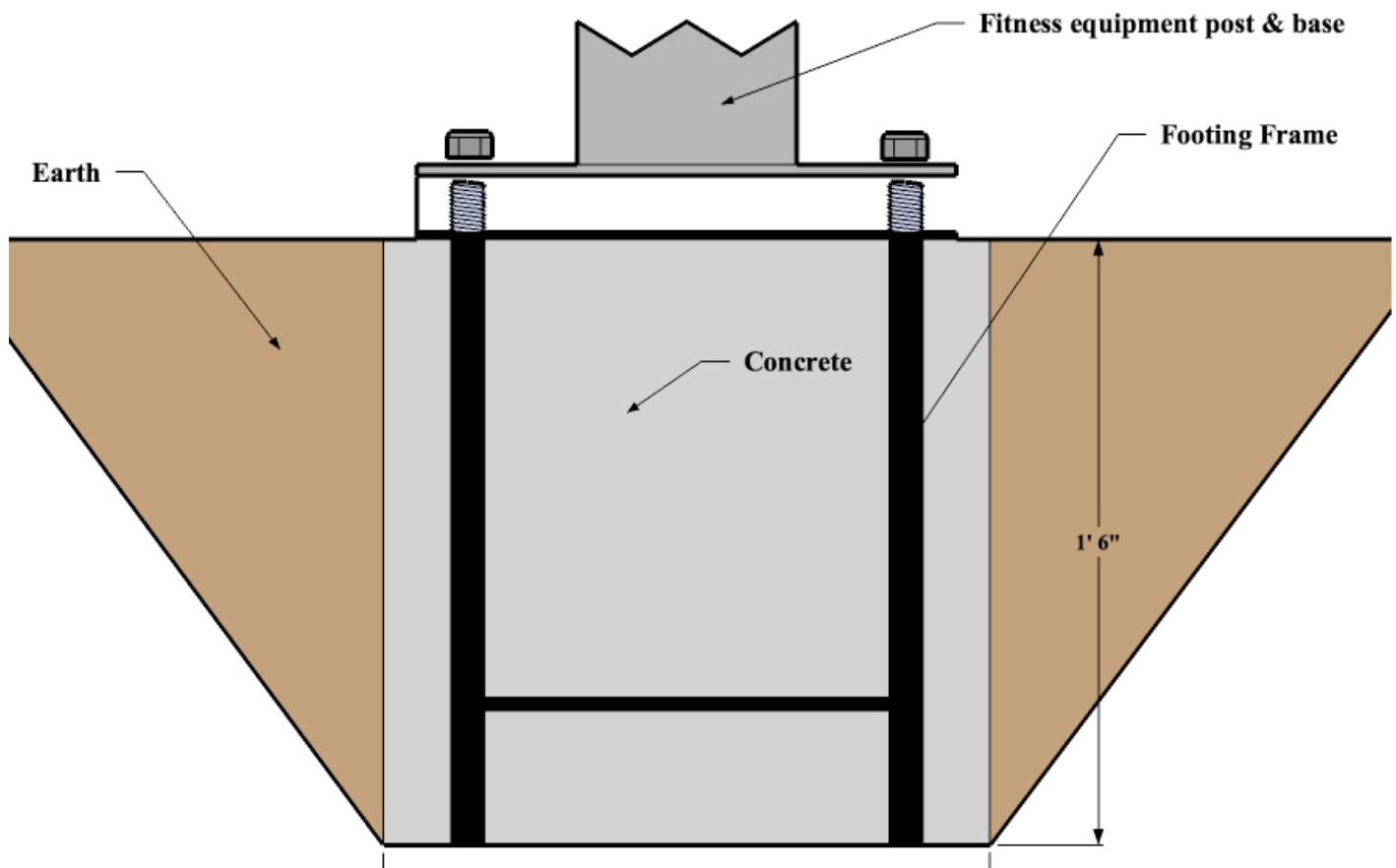
SPORTSplay™

We put the value in play!™

N-Shape Outdoor Fitness Products

Assembly:

Each unit will include an in-ground anchor system that will require a minimum hole that is 18 inch W x 18 inch L x 18 inch D. If your frost line is deeper than 18 inch, you must dig the hole to a depth that allows concrete below the frost line for your region. The hole must be flat bottomed. An estimated .125 yards of concrete per hole will be required to secure the anchor system. Once the anchor system is in place, the fitness unit will slide over the anchor and 3/4 inch nuts will secure the unit to the anchor. Plastic ring will cover mounting hardware.



AAA State of Play
10725 Hidden Oak Way
Indianapolis, IN 46236
www.aastateofplay.com



Local (317) 826-2777
Toll Free (877) 826-2776
Fax (317) 823-3567