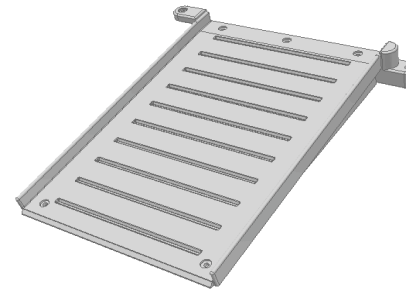




Product Specification Sheet: **ADA-00005**



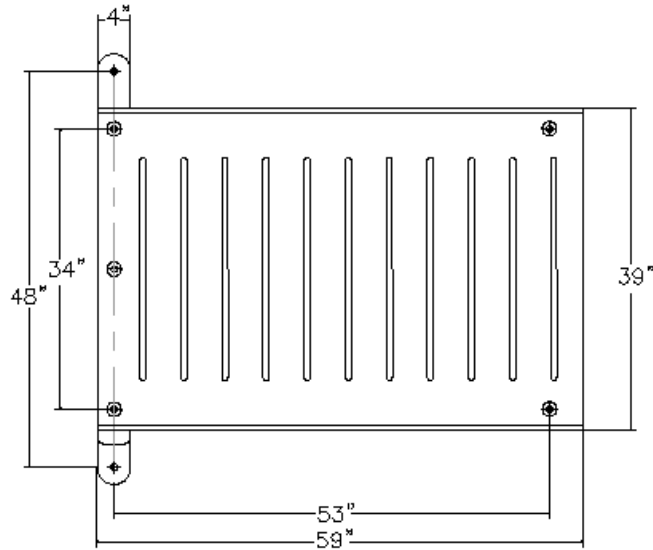
Item Number: **ADA-00005**

Description: **Flush Mount ADA Ramp**

Materials: **Plastic:** Roto-molded polyethylene
Consists of one Ramp and one mounting log and one 2” filler.
Hardware: Galvanized steel ground spikes

Dimensions: **Overall:** 59” Deep 39” Wide x 7-1/2” High
Total 4” vertical rise: 1” rise / 1’ run.

Assembled Weight: 65 Pounds



Flush Mount ADA Ramp Dimensions

Rev	Date	Init.	Remarks
A	01/28/08	BTM	Initiated manual.

The **Wheelchair/ADA Accessible Flush Mount Ramp for Funtimbers** is available to complete your **playground border** purchase.