

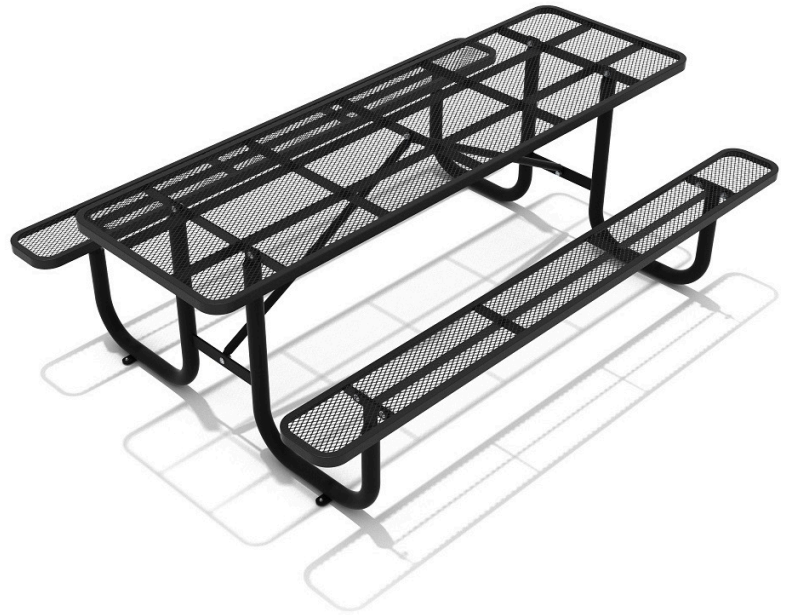
## Expanded Steel Picnic Table - 8'

**MSRP \$1,500.00**

**SALE \$1,154.00**

### Highlights:

- Perforations decrease weight
- Suitable for grass or concrete
- Plenty of room for friends and family
- Surface mount promotes stability



### COMPLIES With:

ASTM F1487-17

CPSC PUB #325

---

Designed to fit into a variety of environments, the Expanded Steel Picnic Table makes a convenient, natural addition to any park, playground, or outdoor space. This eight-foot table features ample space for friends and family to gather and enjoy each other's company, yet it's not so long that people will need to talk overly loud in order for those at the other end of the table to hear the conversation. In addition to decreasing the overall weight of the Expanded Steel Picnic Table, the perforations on the table and benches help to ensure that the unit doesn't become waterlogged in the event of heavy precipitation. The Expanded Steel Picnic Table also features pre-drilled holes at the base that enable surface mounting, ideal for tables that will be located on concrete surfacing.